

# Which solar panel is the front



## Overview

---

Bifacial solar panels work by capturing sunlight from both the front and rear surfaces to maximize energy production. The front side converts direct sunlight like a traditional panel, while the rear absorbs reflected and diffused light through a transparent back sheet. This is where you'll find the blueprints for solar panels and solar generators, along with other electrical equipment like circuit breakers, splitters, and couplers. Once you've unlocked these, you're ready to start building your solar farm. Solar panels in The Front generate a certain amount of. To effectively differentiate between the front and back of solar back panels, one must consider several significant characteristics. Identification of the glossy surface, typically facing the sun, serves as the primary feature on the panel's front; 2.

## Which solar panel is the front



### How to distinguish the front and back of solar back panels

Each solar panel typically comprises a front layer that captures sunlight, while the back layer secures the wiring system. Recognizing these elements is crucial for efficient installation and ...

### What Are the Main Components of Solar Panels? A Structural ...

What components make up a solar panel? This article explains the six key structural components--from front glass and solar cells to encapsulation materials, backsheet, frame and ...

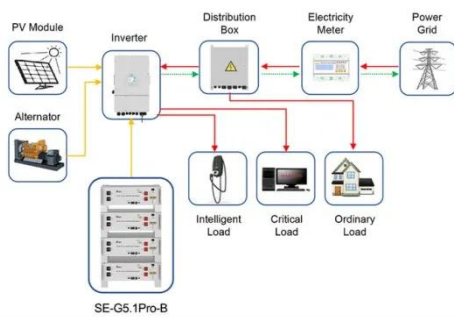


### The Front Solar Panels - How to Start and Set Up

By setting up a solar panel farm, you're optimizing your base's operations in The Front. Solar power may not be enough to fuel everything right away, but it's a sustainable option that will ...

## Bifacial Solar Panels: The Technology That Captures Sunlight From ...

The front side functions like a conventional solar panel, directly absorbing sunlight, while the rear side captures reflected light from surrounding surfaces such as ground cover, nearby ...



Application scenarios of energy storage battery products

## Complete Guide To Bifacial Solar Panel Installation (2025)

Bifacial solar panel installation represents a significant advancement in solar technology, offering 15-27% higher energy generation compared to traditional monofacial panels. Unlike ...

## Everything About Bifacial Solar Panels [2026 Latest]

Bifacial solar panels work by capturing sunlight from both the front and rear surfaces to maximize energy production. The front side converts direct sunlight like a traditional panel, while the rear absorbs ...



## How MPPT is Shining Light on Bifacial Solar Panels , SolarEdge

Bifacial solar panels are panels that convert PV energy from the front and back sides of the module, as opposed to the traditional 'monofacial' panels that produce on one side only.



---

## r/solar on Reddit: Panels on front of house, facing street. Do

The best location for solar would be the front of my roof, facing the street. I'm trying to decide if that is going to look ugly and annoy neighbors. I could put them in the back but that would apparently ...



---

## How To Setup A Solar Panel Farm In The Front

In this guide we explain How To Setup A Solar Panel Farm In The Front including all the wires, couplers, and Circuit Breakers. more

---

## Solar Panel Orientation Guide

This comprehensive guide will walk you through the key factors that impact solar

panel orientation and provide practical tips to ensure you're getting the most out of your solar power.



---

## Contact Us

For catalog requests, pricing, or partnerships, please visit:  
<https://www.59empagm.pl>

