

Which company is doing gravity energy storage projects



Overview

While Energy Vault (NYSE: NRGV) is currently the only publicly traded pure-play gravity storage company, Gravitricity and Green Gravity are emerging leaders in Europe and Australia, respectively. Both are exploring ways to turn existing industrial infrastructure into long-term. These startups use gravitation to store energy safely for a long time and deliver it on demand at a lower lifetime cost. Energy Vault SA implements large-scale projects building energy storage systems including gravity-based, battery-based and green hydrogen-based, managed by its proprietary energy. To use potential energy for energy generation, Energy Vault has replaced water in a conventional hydropower unit with “proprietary cement/polymer-based composite bricks that can be made of ultra-low-cost materials: soil, mine tailings, coal ash, incinerated city waste, and other remediation. Gravity batteries are emerging as a promising solution for large-scale energy storage, leveraging gravitational potential energy to store and release power efficiently. As the demand for renewable energy integration grows, so does the need for reliable, scalable storage options. The idea is deceptively simple: use surplus power to lift a heavy object, then lower it later to release the stored energy.

Which company is doing gravity energy storage projects



Top 4 Gravity Energy Storage Startups

This article explores five innovative growth-stage startups advancing gravity energy storage technology. These startups have the potential to grow rapidly, are well-positioned in the market, or can introduce ...

Terrament , Modular Underground Gravity Storage

Terrament is a New York based clean-tech startup building a patented long-duration energy storage solution that reimagines gravity storage. Our technology maximizes height and weight to achieve 20x ...

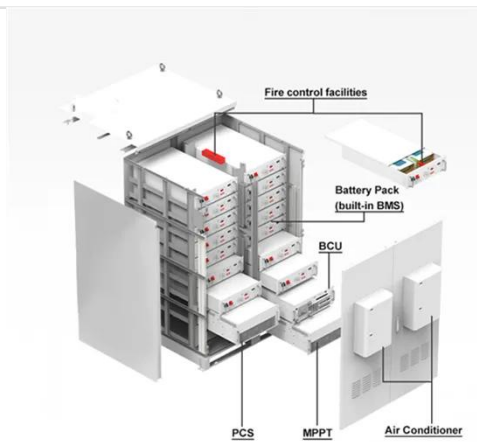


Gravity Batteries 2025: How They Work and Who Builds Them

Gravity energy storage offers long life, low degradation, and minimal environmental impact compared with lithium-ion batteries. Several private and public companies, including Energy ...

Top Gravity Battery Companies & How to Compare Them (2026)

As the demand for renewable energy integration grows, so does the need for reliable, scalable storage options. Several companies are racing to develop viable gravity-based systems, ...



Two massive gravity batteries are nearing completion in the US and ...

According to Energy Vault, the blocks will have a storage capacity of up to 80 megawatt-hours and be able to continuously discharge 4 to 8 megawatts for 8 to 16 hours.

Top 10 Largest Gravity Energy Storage Projects Worldwide 2024

As of June 2024, over 3.7 GW of gravity-based systems are either operational or under construction globally. But what makes these massive projects tick, and which ones are leading the charge?



1st gravity energy storage plant , Enel Green Power

Texas is set to host the first gravitational storage facility in a Western country: it will be built by Energy Vault, a Swiss company that's a pioneer in the case of this innovative technology.



Gravitricity, Energy Vault progress gravity energy storage projects

Gravitricity develops below ground gravity energy storage systems and raised £40 million to commercialise projects in January this year, as covered by our sister site Solar Power Portal. The

...



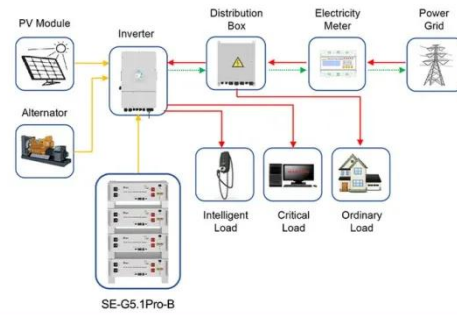
ARES North America

ARES uses recycled steel rails, low-carbon and reclaimable mass cars, sophisticated motors and electronics, and freely available gravity, providing a fully sustainable renewable energy storage ...

Top 8 Gravity Energy Storage startups 2026

Energy Vault SA implements large-scale

projects building energy storage systems including gravity-based, battery-based and green hydrogen-based, managed by its proprietary ...



Application scenarios of energy storage battery products

Contact Us

For catalog requests, pricing, or partnerships, please visit:
<https://www.59empagm.pl>

