

What to do if a power outage damages the photovoltaic panels



Overview

If you want your solar panels working in case of a power outage, the only solution is to add a battery system. Here is how these systems work. By creating your own little “island” of a home with solar panels and batteries, you can run essential appliances for days during a. The short answer: No, most solar panels don't work during power outages. How Reliable are Solar Panels?

A recent study conducted by the National Renewable Energy Laboratory (NREL) on solar.

What to do if a power outage damages the photovoltaic panels



Solar Panels During Power Outage: Do They Still Work?

The only way to use solar panels during power outages is by using a solar panel system with battery storage or a hybrid solar system that provides power independently of the grid.

Solar Panels and Power Outages

Homeowners ask a simple question: do solar panels keep running during a blackout? The short answer: standard grid-tied solar shuts down for safety, but solar plus batteries with the ...



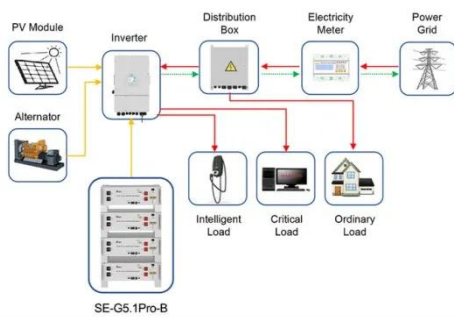
Do Solar Panels Work During a Power Outage?

Do solar panels work during a power outage or a prolonged blackout? These are all questions you may ask when evaluating the comfort and safety of your family in any of these events.

How To Use Solar Panels

During Power Outages

In this article, we analyze the different solar systems types, explain why panels shut down during power outages, and we provide you with the best solution to this problem.



Application scenarios of energy storage battery products

Will Solar Panels Work During a Power Outage? Here's ...

Most solar panels shut off during outages unless paired with battery storage. Learn how to keep your home powered with the right solar setup.

Do solar panels work during a power outage? Your guide to backup ...

Learn why most solar systems shut off in blackouts, how battery-backed systems let you keep power, and tips to survive an outage.



What Happens If You Have Solar And The Power Goes Out?

In a blackout situation, the power from your solar panels goes nowhere - unless

High Voltage Solar Battery



you have some way of storing the electricity (with a battery) or otherwise cutting your system off from the grid. In this video ...

Solar Panels and Power Outages: What You Need To Know

To have solar power during outage situations, you need a way to store that energy or safely use it while disconnected from the grid. Adding a solar battery system is the most complete and ...



Staying Powered Up: The Truth About Solar Panels During Power Outages

Energy backup system integration is essential to resolving this problem and maximizing solar energy. This article aims to enlighten homeowners on effectively utilizing solar panels, backup systems, and ...

Do Solar Panels Work During

Power Outages? [Complete Guide]

Most solar panels shut off during outages for safety, but battery backup systems keep your power on. Learn costs, options, and how to prepare your home.



Contact Us

For catalog requests, pricing, or partnerships, please visit:
<https://www.59empagm.pl>

