

What is a container energy storage system



Overview

Containerized Battery Energy Storage Systems (BESS) are essentially large batteries housed within storage containers. These systems are designed to store energy from renewable sources or the grid and release it when required. It serves as a rechargeable battery system capable of storing large amounts of energy generated from renewable. What are the benefits of using shipping containers for energy storage?

What modifications are essential for a shipping container to be used for energy storage?

Can shipping container energy storage systems be integrated with existing power structures?

What role does renewable energy storage play in. What is Container Energy Storage?

Container energy storage, also commonly referred to as containerized energy storage or container battery storage, is an innovative solution designed to address the increasing demand for efficient and flexible energy storage. This setup offers a modular and scalable.

What is a container energy storage system

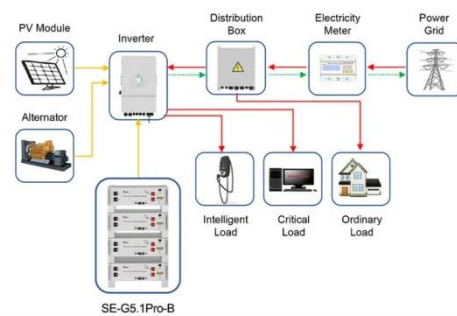


CONTAINER Definition & Meaning

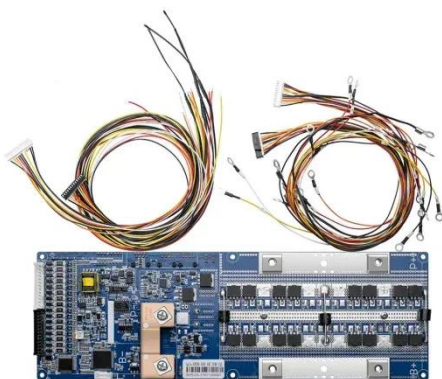
The meaning of CONTAINER is one that contains. How to use container in a sentence.

Shipping Container Energy Storage System Guide

A shipping container energy storage system is a sustainable solution that repurposes shipping containers to house batteries and other components used to store energy.



Application scenarios of energy storage battery products



Containerized Battery Energy Storage System (BESS): 2024 Guide

Containerized Battery Energy Storage Systems (BESS) are essentially large batteries housed within storage containers. These systems are designed to store energy from renewable ...

What Is a Container Energy Storage System?

What is a Containerized Energy Storage System? A containerized BESS is a fully integrated, self-contained energy storage solution housed within a standard shipping container.



What is a container? , Microsoft Azure

A container, or software container, is a standalone package of software that bundles together application code with the operating system libraries and dependencies required to run it.

Aztec Container

Aztec Container offers high-quality new and used shipping containers for sale and rent across the U.S. Choose from standard, modified, or custom-built containers for storage, offices, and job sites. Fast ...



BESS Container Energy Storage Solution , 20ft 40ft Containerized

BESS Container Energy Storage Solution
Bluesun BESS container energy storage



solution integrates lithium battery systems, PCS, BMS, and energy management into standardized 20ft and 40ft ...

What is a Container? , Docker

A container is a standard unit of software that packages up code and all its dependencies so the application runs quickly and reliably from one computing environment to another.



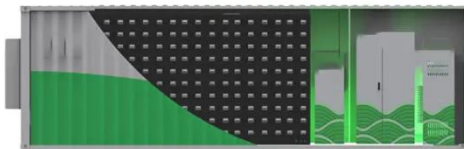
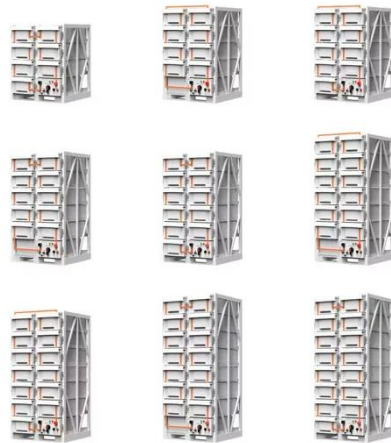
Container Energy Storage: How It Powers the Future of Renewable Energy

What's the Big Deal with Container Energy Storage Systems? a standard shipping container, the same kind you'd see on cargo ships, quietly humming in a field. But instead of holding sneakers or ...

What is a Container

A container is an isolated, stand-alone unit that encapsulates an application

and all its dependencies. It runs consistently in any environment, independent of the host system.



The Container Store , Organize Your Home with Storage & Closet ...

Storage & Organization Solutions! Shop for kitchen, closet, travel & home decor at The Container Store. Explore Custom Spaces and contact a designer today.

CONTAINER , definition in the Cambridge English Dictionary

CONTAINER meaning: 1. a hollow object, such as a box or a bottle, that can be used for holding something, especially....
Learn more.



What Is a Container Energy Storage System?

Container energy storage is to use a container as a carrier to provide uninterrupted power supply ups for

various equipment. Container energy storage mainly includes two parts, namely the ...



What are Containers?

This decoupling allows container-based applications to be deployed easily and consistently, regardless of whether the target environment is a private data center, the public cloud, or even a



How a Containerized Battery Energy Storage System Can Improve ...

A Container Battery Energy Storage System (BESS) refers to a modular, scalable energy storage solution that houses batteries, power electronics, and control systems within a standardized ...

Container Energy Storage System: All You Need to Know

These systems consist of energy storage units housed in modular containers,

typically the size of shipping containers, and are equipped with advanced battery technology, power ...



Containerized Energy Storage System: How it Works and Why You ...

A Containerized Energy Storage System (CESS) operates on a mechanism that involves the collection, storage, and distribution of electric power. The primary purpose of this system is to ...

Containerized Energy Storage: A Revolution in Flexibility

Containerized energy storage seamlessly integrates with solar and wind power projects, addressing the intermittent nature of renewable energy sources. This integration enhances grid ...



Contact Us

For catalog requests, pricing, or partnerships, please visit:

<https://www.59empagm.pl>

