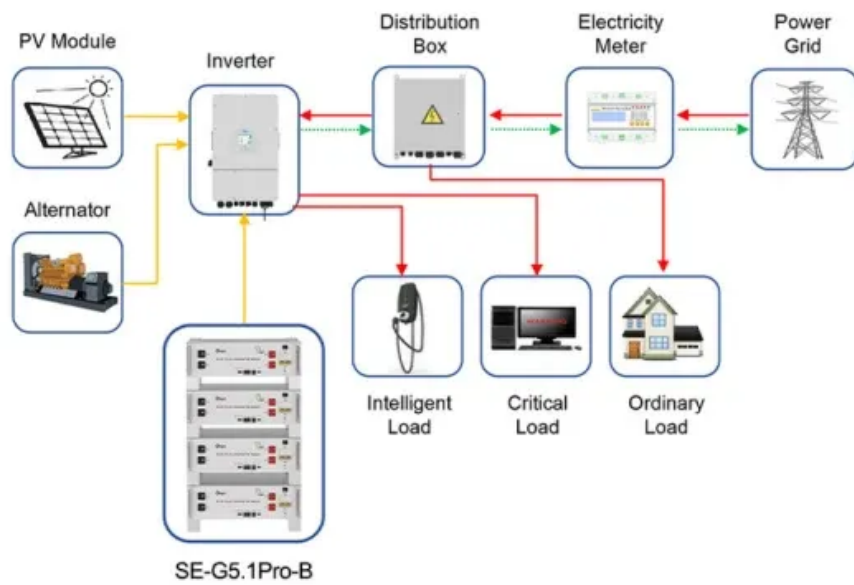


Trinity PV horizontal panel block installation



Application scenarios of energy storage battery products



Overview

Trinity photovoltaic panel circuit installation diagrams are made up of photovoltaic cells that absorb sunlight and convert it into direct current. As they flow through the circuit, they contribute to generating electric current. Flow of Current: Harnessing the Energy. Photovoltaic panels vertical and horizontal can come as a surprise to many that solar panels can be installed vertically. Not sure which direction your solar panels should be installed?

A trusted solar installer will be key to when you install a solar panel system at your home. Installers are obliged to liaise with the relevant Distribution Network. In residential and commercial photovoltaic projects, the orientation of PV modules is far more than a simple installation choice — it affects system efficiency, drainage performance, aesthetics, and maintenance requirements. Excelling in tactical design and efficient installation, Trinity has proven to be the preferred choice amongst others in the market. Trina Solar does not assume any responsibility for loss, damage, injury or expense resulting from the improper installation, handling, use or maintenance. This maximum voltage should not be exceeded at any time and, as the voltage of the module increases, above data sheet values, at operating temperatures below 25°C, then these need to be.

Trinity PV horizontal panel block installation

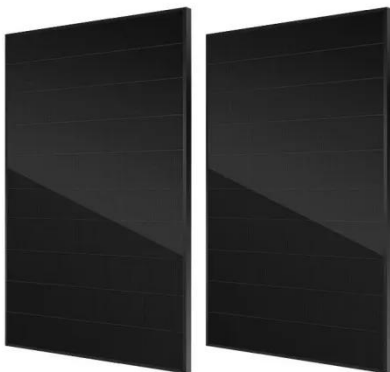


Trinity Wall

The information contained herein has been compiled by Earth Wall Products, LLC and to the best of our knowledge, accurately represents the Trinity Block product use in the applications which are illustrated.

Trinity photovoltaic panel circuit installation method

Solar Panels perform at optimum capacity when placed in direct sunlight. When you install your Solar Power system, try to position your photovoltaic panels directly under the noontime sun for maximum ...



PHOTOVOLTAIC HORIZONTAL PANEL BLOCK INSTALLATION

Due to the high operation and maintenance charges of the photovoltaic (PV) tracking systems, it is better to install the PV panels at a stationary angle which is considered as an optimum slope angle.

INSTALLATION MANUAL

PV modules can be mounted to the substructure using either corrosion-proof M8 bolts placed through the mounting holes on the rear of the module or specially designed module clamps.

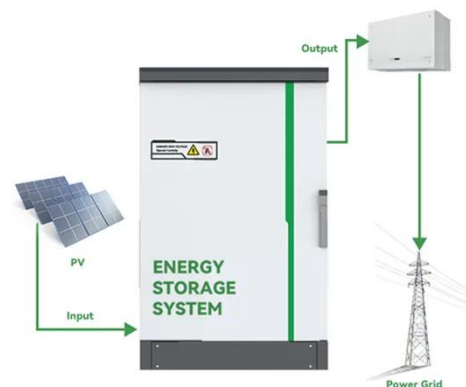


Photovoltaic module installation: horizontal vs. vertical

This article explains the differences between horizontal and vertical installation of photovoltaic modules, and recommends the most suitable layout and module types for rooftops, ...

Photovoltaic panels vertical and horizontal mixed installation ...

Horizontal solar panels are so common, that it can come as a surprise to many that solar panels can be installed vertically. Vertical solar panel installation may be a valid option for your home. Not sure ...



Photovoltaic horizontal panel assembly block installation



Using the sun to provide electrical power for residential, commercial, or agricultural use is effective when a solar photovoltaic (PV) system is set up to access an unobstructed view of

Trinity photovoltaic panel block installation method

This includes ensuring adequate unshaded roof space for the PV panels, installing conduit from the attic to the electric service panel, securing documentation that the



Trinity photovoltaic panel circuit installation diagram

A solar panel diagram with explanation PDF provides a detailed visual representation of how solar panels work and generate electricity from sunlight. The diagram typically includes the



Contact Us

For catalog requests, pricing, or partnerships, please visit:
<https://www.59empagm.pl>

