

Tilt angle and latitude of photovoltaic panels



Overview

The optimal solar panel tilt angle equals your latitude for year-round efficiency. This simple adjustment can increase solar output by 10 to 25 percent depending on your location. Our solar panel angle calculator takes the guesswork out of panel positioning, suggesting panel tilt angles based on your location's latitude and your willingness to reposition based on the sun's seasonal dance across the sky. Uses latitude-based formulas to calculate optimal tilt angle. A correctly tilted system can improve efficiency by 5–10% annually, reducing payback time and boosting long-term savings. Formulas: Year-round tilt = latitude; Summer tilt = latitude - adjustment; Winter tilt = latitude + adjustment.

Tilt angle and latitude of photovoltaic panels



Solar Panel Angle & Tilt Calculator (2026 Guide) , Roof Pitch Chart

Calculate the optimal solar tilt angle for your zip code. 2026 engineering guide to Azimuth, Magnetic Declination, and converting Roof Pitch to Degrees.

How to Determine the Optimal Solar Tilt Angle: A Step-by-Step Guide

To determine the optimal solar tilt angle for photovoltaic panels, one must consider geographic location, seasonal changes, and household energy needs, with a common approach ...

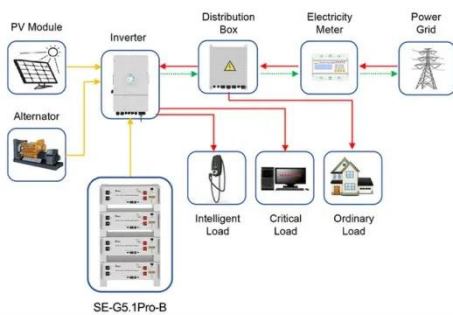


Solar Panel Tilt Angle Calculator: Optimize by Latitude 2026

The optimal solar panel tilt angle equals your latitude for year-round efficiency. For seasonal optimization, use latitude minus 15 degrees in summer and latitude plus 15 degrees in winter. This ...

Solar Panel Best Angle , Tilt & Orientation Guide 2025

In this guide, we'll break down the science behind the best solar panel angle, explain how to calculate it based on latitude, show seasonal adjustments, and share competitor-winning insights ...



Application scenarios of energy storage battery products

Solar Panel Angle Calculator

Our solar panel angle calculator takes the guesswork out of panel positioning, suggesting panel tilt angles based on your location's latitude and your willingness to reposition based on the sun's ...

Solar Panel Direction & Orientation: 2025 Complete Guide

Orientation refers to the cardinal direction your solar panels face (north, south, east, or west), also known as the azimuth angle. Tilt angle describes the vertical angle of your panels relative ...



Solar Angle Secret: Are Your Panels Tilted Right?

Higher-latitude panels in order to

efficiently capture this lower-angled sunlight must have a far steeper tilt angle. Ignoring latitude means your panels might be angled exactly for a location ...



Solar Panel Angle Calculator

What is a Solar Panel Angle Calculator? This tool estimates the optimal tilt (angle) for a fixed-mount solar panel based on your latitude. Adjusting your panels to the right angle can increase yearly ...



Solar Panel Tilt Calculator

Calculate the best tilt angle and orientation for your solar panels to maximize energy production.

Solar Panel Tilt Angle Calculator by Latitude , SolarMathLab

Use our free solar panel tilt angle calculator to find the optimal tilt for your

location. Calculate year-round, summer, and winter angles based on latitude to maximize solar output.



Contact Us

For catalog requests, pricing, or partnerships, please visit:
<https://www.59empagm.pl>

