

The voltage measured by the photovoltaic panel keeps dropping



Overview

This phenomenon occurs when voltage differences between the solar cells and the grounding system cause power losses. PID often requires professional intervention using specialized equipment to restore panel. Is your solar array losing voltage while under load?

If so, the cause may be natural degradation or one of a few easy-to-fix issues. However, the problem can also be something more ominous. Keep. The problem that I am having is when I connect my solar panels to the charge controller the voltage immediately drops from 138 volts to ZERO volts. The good news is that identifying and addressing the root cause can often resolve the issue and restore your solar panel's optimal. Voltage drop in solar systems is the reduction in electrical voltage that occurs as current flows through conductors due to resistance, typically measured as a percentage of the total system voltage. It's like having a flat tire in the middle of the highway - inconvenient, dangerous, and downright frustrating. But how do we diagnose these mysterious failures?

What. Each panel's VoC is 37.

The voltage measured by the photovoltaic panel keeps dropping



Solar Panel Voltage Drops Under Load (Problem + Solutions)

Are you concerned that the solar panel voltage drops under a load? Unfortunately, it is not an uncommon problem with solar arrays, and inside we go through some troubleshooting options ...

Voltage Drop In Solar Panels: Causes, Calculation Formula, And

Voltage drop in solar systems is the reduction in electrical voltage that occurs as current flows through conductors due to resistance, typically measured as a percentage of the total system voltage.



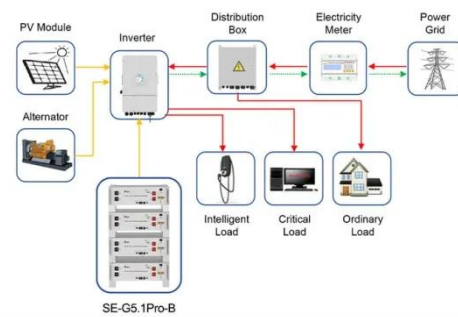
Solar Panel Voltage Drops to Zero when Connected to Controller

There are eight solar panels connected in series that give me about 138 volts on average on a sunny day. The problem that I am having is when I connect my solar panels to the charge ...



[Solved] Why Is My Solar Panel Voltage Low

In this guide, I'll help you find out the reasons behind low solar panel voltage, explore the best diagnostic techniques, and provide practical solutions to get your solar panel system back on track.



Application scenarios of energy storage battery products

Solar panel voltages drop significantly under load

The panels are laid flat on the ground in my backyard. When I disconnect the Growatt charge controller/inverter and measure the solar panels, it measures around 95V according to my ...



The voltage measured by the photovoltaic panel keeps dropping

If your solar panel or array drops volts

when under a load, the problem may be any number of issues. The best place to start is as follows: Start with your testing equipment.

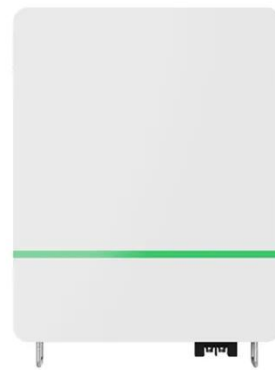


Understanding Solar Panel Voltage Drop

Learn how to tackle solar panel voltage drop in your system. Discover tips, calculators, and strategies to optimize solar power output.

Fault diagnosis process of solar panels with sudden voltage drop in

Today, we're peeling back the layers on voltage plunge mysteries in PV systems. We'll blend cutting-edge research with boots-on-the-ground troubleshooting tactics to create your ultimate ...



Troubleshooting Solar Panel Issues: A Comprehensive Guide

To fix a solar panel not producing enough power, you need to start with

the basics. First, you need to clean your panels with mild soap and water. Second, check for any new sources of ...



Contact Us

For catalog requests, pricing, or partnerships, please visit:
<https://www.59empagm.pl>

