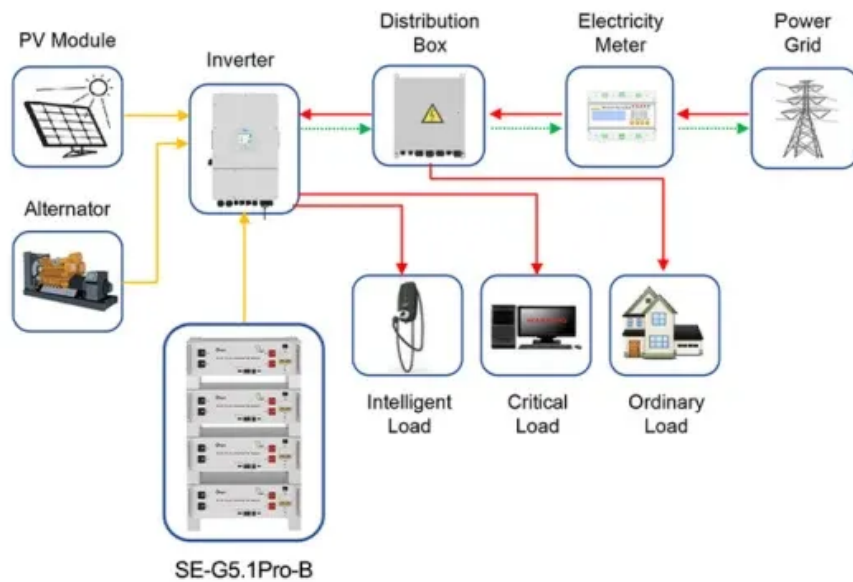


The size of the photovoltaic panel foundation installed on the roof



Application scenarios of energy storage battery products



Overview

The size of the rooftop solar mounting system depends on a variety of factors, such as the number and size of solar panels, the type of roof, the pitch of the roof, and the weather conditions in your area. The most common choice for residential installations, 60-cell panels are arranged in a 6×10 grid. Larger panels arranged in a 6×12 grid, primarily used for. Currently, most PV modules on the market range from 410W to 800W, enabling higher yields within limited roof areas and offering greater configuration possibilities for both residential and commercial rooftops. Q: Can panel weight damage my roof?

A: Properly installed systems distribute weight evenly. Ensure your roof can handle 3–4 lbs/sq. Know why these proven formats and their half-cut upgrades still rule the market - When people talk about a standard solar panel size, they usually mean the typical dimensions found in the industry.

The size of the photovoltaic panel foundation installed on the roof



Solar Panel Size Guide: Find the Best Fit for Your Roof

When it comes to solar, there isn't a one-size-fits-all solution. The standard solar panel size depends on how many solar cells it contains, and that choice plays a big role in both performance and roof fit.

Rooftop Solar Panel Size and Layout Guide

This article, based on practical case studies and calculation formulas, analyzes solar panel dimensions, spacing, and rooftop assessment methods to help distributors and users select the most ...



Solar Panel Size Guide , Best Panel Size for Your Roof

Solar panel size shapes everything from the watts to the ease of lifting a module onto a roof. The insights that follow weigh the gains and compromises of large versus compact panels, helping you choose a ...

Photovoltaic Roof Panel Specifications and Dimensions: A Complete ...

Understanding photovoltaic (PV) roof panel specifications and dimensions is critical for optimizing energy output, cost efficiency, and structural compatibility.



Solar Panel Size & Dimensions Guide 2025 , Complete Specs

In this comprehensive guide, you'll learn everything you need to know about solar panel sizing, from standard dimensions to weight considerations, helping you determine the perfect solar solution for your ...

Structural Requirements for Solar Panels -- Exactus Energy

Before installation can begin, a few things need to be carefully checked to make sure the system runs safely and doesn't damage the roof. Roof material: The kind of material used for the roof can affect how ...



The Complete Guide To Rooftop Solar Mounting [2025]



The size of the rooftop solar mounting system depends on a variety of factors, such as the number and size of solar panels, the type of roof, the pitch of the roof, and the weather conditions in your area.

The size of the photovoltaic panel foundation installed on the roof

In this guide, we'll explain a typical solar panel installation from start to finish, as well as what all the hardware does, and where on your property you can install the panels.



Sizing and Design , Tesla Support

Learn more about how we size each system for your home.



standard solar photovoltaic panel sizes explained

We will explore the common dimensions, explain how cell count dictates physical

size, and provide actionable insights so you can accurately plan your installation, maximize roof space, and ensure ...



Contact Us

For catalog requests, pricing, or partnerships, please visit:
<https://www.59empagm.pl>

