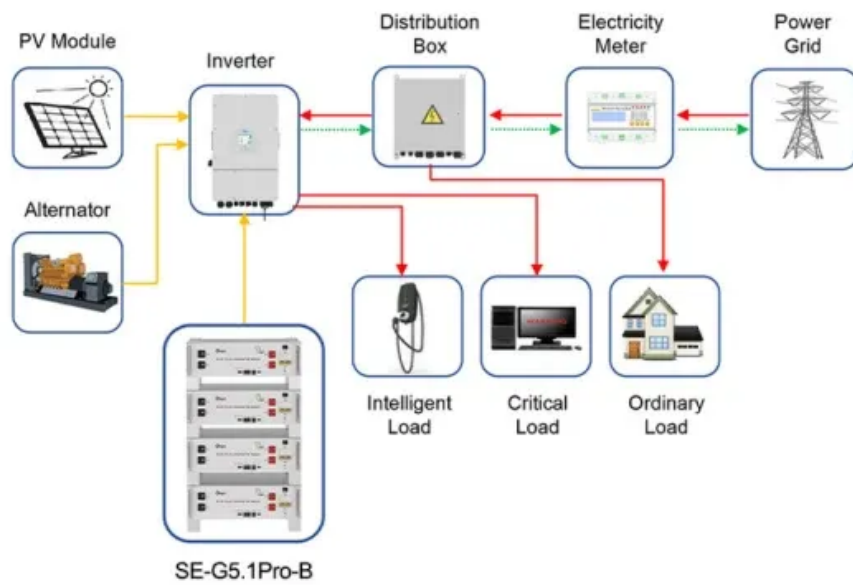


# The safest new energy battery cabinet



Application scenarios of energy storage battery products



## The safest new energy battery cabinet

---



### 2025 Battery Box Guide: Safety, Smart Features & Selection

Choose the right battery enclosure in 2025. Our guide covers materials, smart tech, IP ratings, and best practices for solar, marine & home energy storage.

---

### All-in-One Energy Storage Cabinet & BESS Cabinets , Modular, ...

AZE's All-in-One Energy Storage Cabinet & BESS Cabinets offer modular, scalable, and safe energy storage solutions. Featuring lithium-ion batteries, smart BMS, and thermal management, they're ideal ...



---

### Lithium Solar Generator: \$150



### 10 Best Outdoor Battery Storage Cabinets for a Tidy and Safe Space

Transform your outdoor space with the top 10 battery storage cabinets that promise safety and organization--discover which ones made the cut!

## The Complete Guide to Choosing a Safe and Reliable Battery Storage Cabinet

Learn everything about choosing a safe, compliant, and effective battery storage cabinet. Explore features, risks, maintenance practices, cabinet types, and essential safety considerations for ...

12V 10AH



### BESS CABINET

A BESS cabinet is an industrial enclosure that integrates battery energy storage and safety systems, and in many cases includes power conversion and control systems.

### Lithium-Ion Battery Charging Cabinet , Securall

Protect your facility and your team with Securall's purpose-built Battery Charging Cabinets--engineered for the safe storage and charging of lithium-ion, lead-acid, and other rechargeable batteries. Securall ...



### The Ultimate Buying Guide: Unveiling the Secrets to Choosing the



Safety should be a top priority when choosing an energy storage cabinet. Look for cabinets with fire - resistant materials, especially if the batteries are stored indoors. Lithium - ion batteries, in particular, ...

## 14 Best UL Certified Battery Cabinets for Safe and Reliable Power

Lifting safety standards, these 14 UL-certified battery cabinets ensure reliable power storage--discover the top options to protect your equipment and stay safe.



## Energy Storage Cabinets: Durable, Efficient & Scalable

Choosing the right energy storage system is a critical step towards energy independence and efficiency. This guide aims to walk you through the essential considerations when selecting energy storage ...

## Battery Storage Cabinets: Design, Safety, and Standards for Lithium ...

Learn about battery storage cabinets--how they're designed, the standards they meet, and the best practices for lithium-ion battery safety. Explore features like fireproof charging systems, ...



---

## Contact Us

---

For catalog requests, pricing, or partnerships, please visit:  
<https://www.59empagm.pl>

