

Solar energy united states



Overview

Solar power includes solar farms as well as local distributed generation, mostly on rooftops and increasingly from community solar arrays. In 2024, utility-scale solar power generated 219.8 terawatt-hours (TWh) in the United States. Total solar generation that year, including estimated small-scale. In our latest Short-Term Energy Outlook (STEO), we expect U. 6% in 2027, when it reaches an annual total of 4,423 BkWh. It also. Utility-scale solar posts record growth in 2024; projected to supply most of the nation's increase in electricity generation in 2025 and 2026 The Energy Information Administration (EIA) reported that, in 2024, the United States added a record 30 gigawatts (GW) of utility-scale solar to the grid. The U. produced more solar power in 2023 than ever before – part of a decade-long growth trend for renewable energy. solar and wind energy data from 2014 to 2023 for all 50 states and the District of Columbia. And with a new federal administration creating roadblocks for leasing and permitting wind energy, freezing funding, and threatening to upend policies like the Inflation Reduction Act and Bipartisan Infrastructure Law, it may become even harder to make progress.

Solar energy united states



Solar Market Insight Report - SEIA

Solar accounted for 58% of all new electricity-generating capacity added to the US grid through the third quarter of 2025, with more than 30 GW installed. Solar and storage, combined, ...

A Decade of U.S. Solar Growth

Top 10 states for growth in solar (utility- and small-scale combined) capacity from 2014 to 2023. Find data for all 50 states and the District of ...



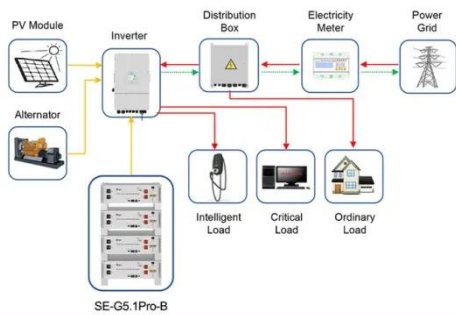
Solar Photovoltaic System Cost Benchmarks

Each benchmark system is representative of what is currently being installed in the United States and is defined in sufficient detail to assess the impact of system size, module efficiency, overhead, and ...



Growth of Renewable Energy in the US , World Resources Institute

Installed solar capacity in the U.S. now totals about 220 GW, enough to provide over 7% of the nation's electricity. This continues a decade-long trend of rapid growth in solar power. Battery ...



Application scenarios of energy storage battery products

Solar Energy

There are two main types of solar energy technologies--photovoltaics (PV) and concentrating solar-thermal power (CSP). On this page you'll find resources to learn what solar ...

Solar Rooftop Potential

in 2016, there are over 8 billion square meters of rooftops on which solar panels could be installed in the United States, representing over 1 terawatt of potential solar capacity. With improvements in solar ...



Renewable Energy Pillar

Learn more about the advantages of wind energy, solar energy, bioenergy, geothermal energy, hydropower, and marine energy, and how the U.S.

Department of Energy is working to modernize ...



On Display: Smithsonian Shares the History of Solar

This display introduces visitors to the history of solar energy use in the United States both as part of the electrical grid as well as an off-grid supplement.



↑ ESS



Solar power generation drives electricity generation growth over the

We expect the combined share of generation from solar power and wind power to rise from about 18% in 2025 to about 21% in 2027. In our STEO forecast, utility-scale solar is the fastest ...

Department of Energy

Department of Energy



Solar photovoltaic industry in the U.S.

Find up-to-date statistics and facts on the solar photovoltaic industry in the United States.

Solar Manufacturing Map

This map provides information about all of the solar photovoltaic (PV) manufacturing facilities in the United States and how they contribute to the solar supply chain.



Solar energy on the rise in America

The Energy Information Administration (EIA) reported that, in 2024, the United States added a record 30 gigawatts (GW)

of utility-scale solar to the grid, accounting for 61% of new ...



The History of Solar

This solar installation, the United States' largest rooftop system, was commissioned to help Alameda County reduce and stabilize future energy costs. This smart energy project reduces the jail's use of ...



Energy Innovation

Solar energy is the fastest growing and most affordable source of new electricity in America. As the cost of solar energy systems dropped significantly, more Americans and businesses ...

U.S. Renewable Energy Factsheet

82% of U.S. energy comes from fossil fuels, 8.7% from nuclear, and 9.1% from renewable sources. In 2023, renewables

surpassed coal in energy generation. 1

...



Top 10 Solar Power Companies in USA (2026)

Explore the top 10 solar companies in the USA for 2026. Discover the industry's best solar companies with innovative solar panels and solutions.

Quarterly Solar Industry Update

Each quarter, NREL conducts a presentation of technical trends within the solar industry.



Contact Us

For catalog requests, pricing, or partnerships, please visit:
<https://www.59empagm.pl>

