

Solar charging station with integrated light and storage



Solar charging station with integrated light and storage

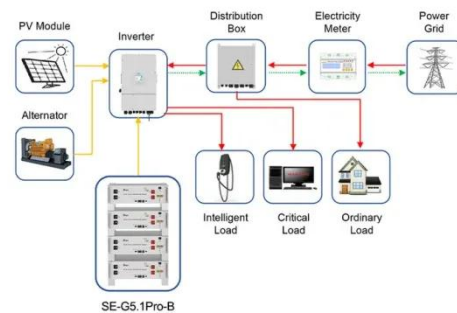


PV Storage and Charging Integrated

The light storage and charging integrated power station, combining PV and storage, supplies energy to charging stations, boosts self-generation and consumption, reduces transformer load impact from ...

Microgrid Solar-Storage-Charging Solution , Billion Smart Energy

Billion's PV+BESS+EV microgrid solution integrates solar power, battery energy storage, and intelligent EV charging to deliver clean, stable, and cost-efficient energy for commercial, industrial, and remote ...



Application scenarios of energy storage battery products

Integrated Light Storage and Charging: A New Breakthrough in ...

The integrated light storage charging station can significantly improve energy conversion efficiency by leveraging low valley electricity prices at night. During peak charging periods, it supplies ...



What are the main uses of integrated light storage and charging ...

Discover the potential of integrated light storage and charging systems, combining solar power, energy storage, and EV charging. Explore key applications in EV stations, industrial parks, ...



Overview Of PV Storage And Charging System FACTORY

By integrating EV charging stations with PV panels and energy storage, these systems can supply clean and renewable energy directly to electric vehicles. This not only reduces the carbon ...

Solar Carports & EV Chargers , Neosun Energy

Solar Carport is an autonomous dual charging station that doesn't require an external power supply. It has a photovoltaic installation containing solar modules and integrated batteries.



Integrated Solar Energy Storage and Charging Stations: A

This piece offers an in-depth examination of the integrated solar energy storage and charging infrastructure, serving as a valuable resource for enhancing the stability of energy supply ...

Understanding Integrated PV Energy Storage and Charging System

An integrated photovoltaic energy storage and charging system, commonly called a PV storage charger, is a multifunctional device that combines solar power generation, energy storage, ...

114KWh ESS



ISO 9001 ISO 14001 PICC RoHS CE MSDS UN38.3 UK CA IEC

Energy Storage System & PV

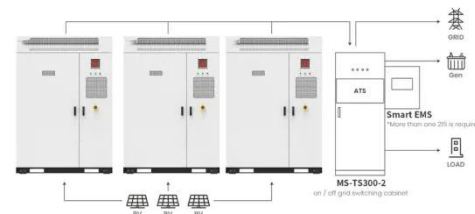
power station integrated solution: A ...

GSL Energy's solar-energy storage-charging integrated system seamlessly combines solar photovoltaic power generation, energy storage technology, and electric vehicle charging functionality ...



(PDF) Research On Integrated Charging Station System Based on

In the future, photovoltaic storage and charging integrated station is expected to be applied to business parks, residential communities, and other places on a large scale to achieve



Application scenarios of energy storage battery products

Contact Us

For catalog requests, pricing, or partnerships, please visit:
<https://www.59empagm.pl>

