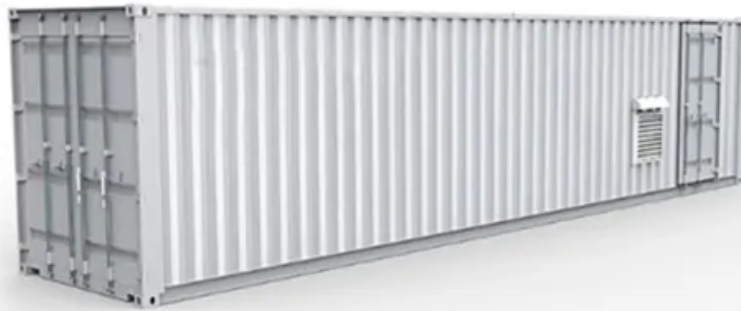


Solar auxiliary solar container power supply system



Overview

These turnkey solutions integrate solar panels, inverters, batteries, charge controllers, and monitoring systems into a single transportable unit that can be deployed rapidly to provide electricity in diverse locations. LZY offers large, compact, transportable, and rapidly deployable solar storage containers for reliable energy anywhere. LZY mobile solar systems integrate foldable, high-efficiency panels into standard shipping containers to generate electricity through rapid deployment generating 20-200 kWp solar. A solar power container is a self-contained, portable energy generation system housed within a standardized shipping container or custom enclosure. Upgrade your shipping container home or office with a solar power kit and make the transition to off the grid living effortless! This system is designed to easily connect all your essential appliances (air-conditioners, computers, lights, microwaves and more). It's equipped with a 3000 watt power.

Solar auxiliary solar container power supply system

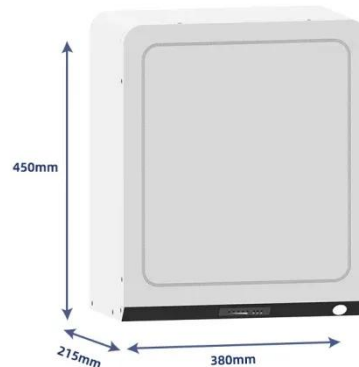


Solar Panels for Shipping Containers

Upgrade your shipping container home or office with a solar power kit and make the transition to off the grid living effortless! This system is designed to easily connect all your essential appliances (air ...

Solar Power Container: Complete Guide to Portable Solar Energy ...

A solar power container is a self-contained, portable energy generation system housed within a standardized shipping container or custom enclosure. These turnkey solutions integrate ...

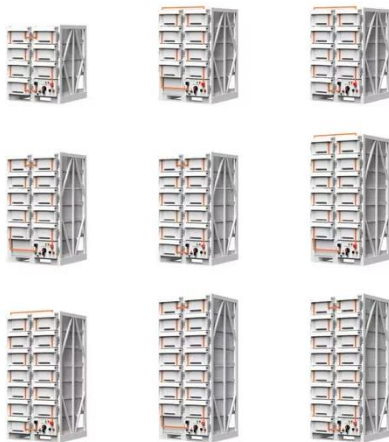


UNLOCKING OFF-GRID POWER: THE ULTIMATE GUIDE TO SOLAR ...

Among the innovative solutions paving the way forward, solar energy containers stand out as a beacon of off-grid power excellence. In this comprehensive guide, we delve into the ...

Renewable Solar Container Generators

Each solar-powered shipping container generator is transportable, securable, and can be fully customized to your specific needs, including hybrid and microgrid compatibility.

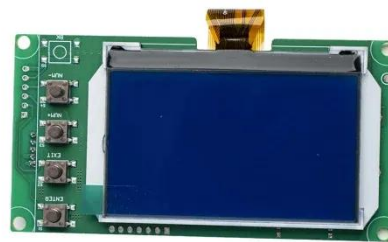


Shipping Container Solar Systems in Remote Locations: An Overview

A shipping container solar system is a modular, portable power station built inside a standard steel container. A Higher Wire system includes solar panels, a lithium iron phosphate ...

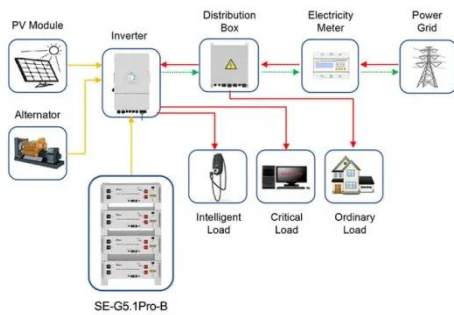
Instant Off-Grid(TM) Shipping Containers with Solar and Batteries and AC+

Our 20 and 40 foot shipping containers are outfitted with roof mounted solar power on the outside, and on the inside, a rugged inverter with power ready battery bank.



Mobile Solar Containers , SolaraBox Portable & Rapid-

Deploy Solar ...

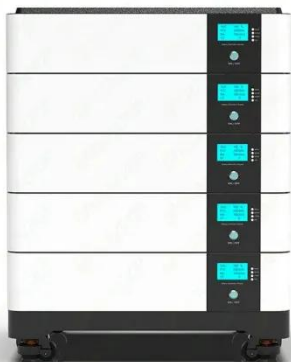


Application scenarios of energy storage battery products

SolaraBox Mobile Solar Container brings green energy wherever you need it. The integrated solar system delivers 400-670 kWh of energy daily. Thanks to foldable solar arrays, the container is ...

Solar Container , Large Mobile Solar Power Systems

LZY mobile solar systems integrate foldable, high-efficiency panels into standard shipping containers to generate electricity through rapid deployment generating 20-200 kWp solar arrays, reducing reliance ...



How a Shipping Container Solar System Transforms Remote Power ...

Witness how a shipping container solar system changes the face of power access. Discover the benefits of solar containers, real-life applications, and solutions for off-grid power.

Customized Mobile Solar Container , Portable Solar Energy Storage

A Mobile Solar Container is a self-contained solar power unit housed within a transportable container. Designed for mobility, it offers rapid deployment of renewable energy solutions in remote or ...



Contact Us

For catalog requests, pricing, or partnerships, please visit:
<https://www.59empagm.pl>

