

Solar Golden Key Power Generation

Lithium Solar Generator: S150



Overview

Solar cells have been widely used for offering energy for Internet of Things (IoT) devices. Recently, solar cells have also been used as sensors for context awareness sensing due to their sensitivity to vary.

Solar Golden Key Power Generation

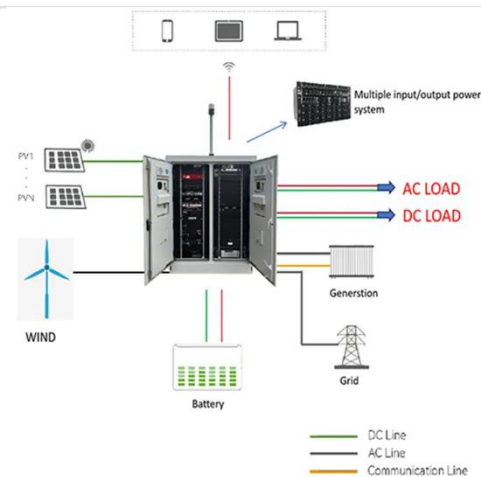


Renewable electricity - Renewables 2025 - Analysis

Since solar PV and onshore wind are the cheapest technology options to add new power generation in China, facilities were receiving 15- to 20-year contracts at provincial coal benchmark ...

SolarKey Battery-free Key Generation Using Solar Cells

This article designs a novel key generation framework, SolarKey, which includes the starting point detection and a compressed sensing-based two-tier key reconciliation method, and generates ...



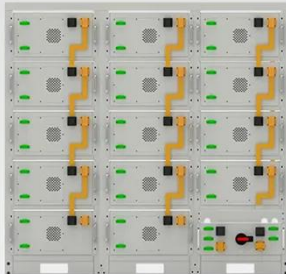
Smart Energy



This project is one of the key agricultural photovoltaic power generation projects in Wanning City, making full use of the local barren slopes and abundant solar energy resources, transforming natural ...

SolarKey: Battery-free Key Generation Using Solar Cells

Download Citation , SolarKey: Battery-free Key Generation Using Solar Cells , Solar cells have been widely used for offering energy for Internet of Things (IoT) devices. ...



Battery String-S224

- 1C Charge/Discharge
- Easy configuration and maintenance
- Power supply can be single battery string or parallel battery strings

Golden Solar New Energy Technology Holdings ...

Exploring Golden Solar Pioneering the Future with Revolutionary Technology and Supreme Efficiency High-Efficiency HBC Solar Cell More

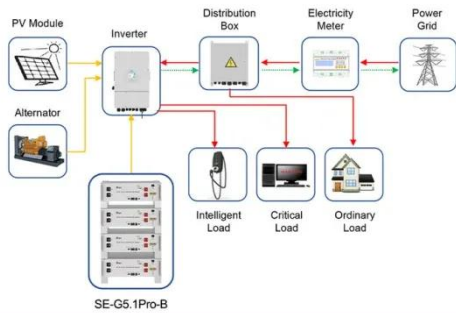
Chinese PV Industry Brief: JP-Solar, Golden Solar, Longi create PV

Golden Solar New Energy Technology says its subsidiary, Golden Solar (Quanzhou), has started a CNY 659 million (\$93.4 million) joint heterojunction (HJT) solar venture with Longi and ...



SolarKey: Battery-free Key Generation Using Solar Cells (Journal ...

Abstract: Solar cells have been widely used for offering energy for Internet of Things (IoT) devices. Recently, solar cells have also been used as sensors for context awareness sensing due to their ...



Application scenarios of energy storage battery products

Contact Us

For catalog requests, pricing, or partnerships, please visit:
<https://www.59empagm.pl>

