

# San Marino Super Farad Double Layer Capacitor



## San Marino Super Farad Double Layer Capacitor

---

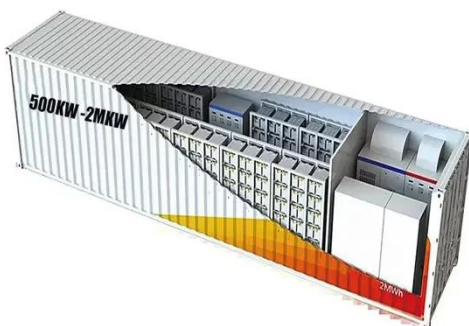


### Electric Double Layer Capacitor

Electric double layer capacitors (EDLCs), also known as super-capacitors, are energy storage devices primarily used to support power supplies in managing surge power demands, particularly in electric ...

### Supercapacitor

As a result, double-layer capacitors have much higher capacitance values than conventional capacitors, arising from the extremely large surface area of activated carbon electrodes and the extremely thin ...

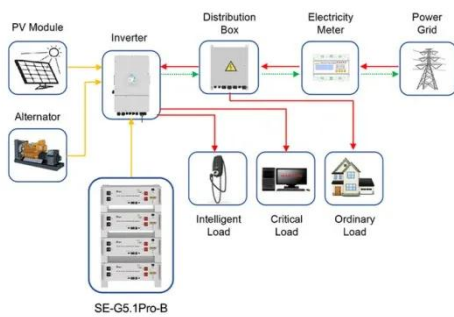
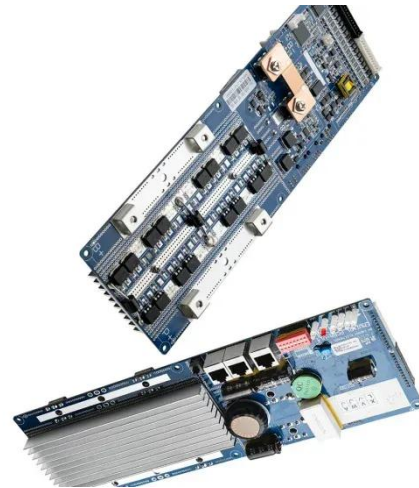


### CDE Supercapacitor Technical guide

Supercapacitors are breakthrough energy storage and delivery devices that offer millions of times more capacitance than traditional capacitors. They deliver rapid, reliable bursts of power for hundreds of ...

## San Marino capacitor battery storage

In light of the above, this paper presents the hybrid combination of battery cells and a super-capacitor bank storage system, highlighting its design as well as performance assessment aimed at improving ...



Application scenarios of energy storage battery products

## Supercapacitors - Basic Electronics 16

These electrochemical type capacitors are small in size and can offer capacitance in tens, hundreds, or even thousands of Farad. They cannot only store a large amount of charge, but they ...

## Supercapacitor Technical Guide

Supercapacitors, also known as ultracapacitors and electric double layer capacitors (EDLC), are capacitors with capacitance values greater than any other capacitor type available today.



## Recent Advanced Supercapacitor: A Review of Storage Mechanisms



This article reviews three types of SCs: electrochemical double-layer capacitors (EDLCs), pseudocapacitors, and hybrid supercapacitors, their respective development, energy storage ...

## Super and Ultracapacitors Thousands of Farads Thanks to Double Layer

This article highlights HY-LINE Power Components Super- and Ultracapacitors built using double layer technology used as starting aids for power generators.



## Super and Ultracapacitors Thousands of Farads Thanks to Double ...

Physics Determine Capacity  
Helmholtz Double Layer  
Physics and Chemistry  
Old Technology  
More Robust Than Accumulators  
Not Suitable as Filter  
Capacitor  
Battery and Supercapacitor in A Team  
Electrical Characteristics  
Higher Voltage: Supercapacitor Arrays  
Negative Influences  
Supercapacitors are double layer capacitors whose underlying principle, the Helmholtz double layers, have been known for over 130 years. They are only a few molecular layers wide in the nanometer range, which



results in a further capacity increase of up to a factor of 10,000 compared to the electrolytic capacitor. For the same reason, however, they see more on eepower Missing: San MarinoMust include: San MarinoDigi-Key Electronics

## **Electric Double Layer Capacitors (EDLC), Supercapacitors**

Electric Double Layer Capacitors (EDLC), Supercapacitors are in stock at DigiKey. Order Now! Capacitors ship same day.

---

### **Electric Double Layer Capacitors (EDLC): High-Power Energy Storage**

An electric double layer capacitor is a charge storage device which offers higher capacitance and higher energy density than an electrolytic capacitor. Electric double layer capacitors are suitable for a wide ...



### **Electric Double Layer Capacitors (EDLC), Supercapacitors**

Electric Double Layer Capacitors (EDLC), Supercapacitors are in stock at DigiKey. Order Now! Capacitors ship same day.

## Contact Us

---

For catalog requests, pricing, or partnerships, please visit:  
<https://www.59empagm.pl>

