

# Sales of 60kWh Photovoltaic Energy Storage Units



## Overview

---

Compare price and performance of the Top Brands to find the best 60 kW solar system. For home or business, save money on monthly. The Sol-Ark L3 HV-60KWH-60K is an advanced indoor energy storage solution tailored for large commercial and industrial applications. This high-performance system integrates a powerful 60kWh lithium battery pack with the Sol-Ark 60K-3P-480V inverter, delivering up to 60kW of continuous AC power to. Anchored by the Sol-Ark 60K high-voltage hybrid inverter, paired with 80 high-efficiency 415W solar panels and a 60kWh lithium battery bank, this system is designed for large off-grid properties, industrial applications, and mission-critical backup power. With support for high-voltage three-phase. This high-power, low cost solar energy system generates 60,160 watts (60 kW) of grid-tied electricity with (102) 590 watt Axitec XXL bi-facial model PS590M8GF-24/TNH, GoodWe single-phase string inverters, 24/7 monitoring, disconnect box, rooftop. Our cutting-edge technology seamlessly integrates renewable energy sources with advanced storage and cloud computing capabilities.

## Sales of 60kWh Photovoltaic Energy Storage Units

---



### **Sol-Ark 277/480V 60kWh Outdoor rated Limitless Lithium Battery Energy**

Greentech Renewables supplies Sol-Ark 277/480V 60kWh Outdoor rated Limitless Lithium Battery Energy Storage System w/HVAC, L3-HVR-60KWH and other pre-qualified solar equipment from Sol ...

---

### **60kw solar panel system for sale**

60Kw Solar Systems  
What Is 60 Kw Solar System  
60Kw Solar System Cost  
How We Operate  
Our fulfillment centers are located on the east and west coasts of the USA: California, Washington, Colorado, Texas, Florida, New Jersey, and Missouri. We process all orders within 24 hours, and ship them within 48 hours. Delivery takes 4-7 business days. We work only with trusted manufacturers and we offer affordable prices for our products. See more on [a1solarstore](#)  
lythpower



### **60kWh HV System - LYTH**

Industrial-grade 60kWh high-voltage energy storage system, suitable for factories, microgrids, and energy peak shaving. Featuring modular stacking, high-voltage output, and full system-

level BMS ...

---



## 60 kW Solar Kits

SunWatts has a big selection of affordable 60 kW PV systems for sale. These 60 kW size grid-connected solar kits include solar panels, DC-to-AC inverter, rack mounting system, hardware, ...

---

## 60kW HVK PRO Solar Kit , Sol-Ark 60K + 60kWh Battery System

60kWh Lithium Battery Options - Choose between Sol-Ark L3 or RENON E-Cube for dependable, high-voltage energy storage. 80 x 415W Monocrystalline Solar Panels - Over 33kW of solar capacity for ...



## 60kw solar panel system for sale

At A1 SolarStore you can find a 60 kWh solar system of your preferable design. Our managers are there for you to provide any information about the components of our systems, ...

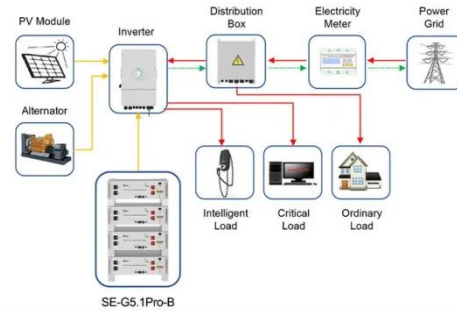
---



## Sol-Ark L3 HVR-60KWH-30K ,

## 208V Outdoor Commercial Battery

Discover the Sol-Ark L3 HVR-60KWH-30K, a 208V outdoor commercial energy storage solution. 60kWh capacity, IP55-rated, scalable up to 360kWac. Ideal for large-scale solar integration.



Application scenarios of energy storage battery products



## Sol-Ark L3 HV-60KWH-60K: 480V Indoor Energy Storage System

We offer top-tier battery backup solutions compatible with major brands like SolarEdge, Enphase, SMA, and Fronius. The Sol-Ark L3 HV-60KWH-60K is an advanced indoor energy storage solution tailored ...

## 30kw/60kwh Photovoltaic Energy Storage System

We offer a comprehensive range of energy storage cabinet products and can customize solutions to meet your specific requirements. Contact us via email or WhatsApp for inquiries.



## Exploring 60kWh battery solutions?



Whether you are powering your home, business premises, or off-site facilities, GSL ENERGY offers the most comprehensive and flexible 60kWh battery system series on the market.

## 60KW Energy Storage System, High Voltage Solar Energy Storage ...

Bonnen's High Voltage Solar Energy Storage System for Industrial & Commercial sectors is a culmination of years of meticulous research and development. Our cutting-edge technology ...

### LIQUID COOLING ENERGY STORAGE SYSTEM

EMS real-time monitoring  
No container design  
flexible site layout



## 60kWh HV System

Industrial-grade 60kWh high-voltage energy storage system, suitable for factories, microgrids, and energy peak shaving. Featuring modular stacking, high-voltage output, and full system-level BMS ...

**Contact Us**

For catalog requests, pricing, or partnerships, please visit:  
<https://www.59empagm.pl>

