

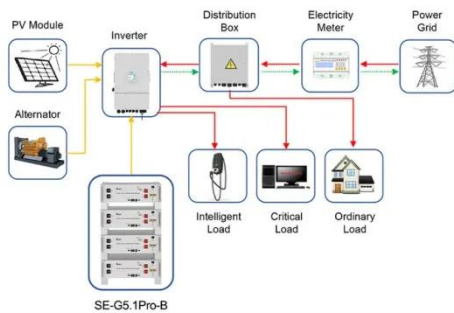
Russian Mobile Energy Storage Container Three-Phase



Overview

This analysis identifies optimal storage technologies, quantifies costs, and develops strategies to maximize value from energy storage investments. Energy demand and generation profiles, including peak and off-peak periods. What challenges does the energy storage sector. Summary: Discover how Russian mobile energy storage systems are transforming industries like renewable energy, emergency response, and remote infrastructure. as far as energy storage market is expanding rapidly, prices of. Why Energy Storage Stations Are Shaping Our Grid (And Your Coffee Machine) Ever wondered how your lights stay on when the wind stops blowing or the sun plays hide-and.

Russian Mobile Energy Storage Container Three-Phase



Application scenarios of energy storage battery products

Russian Mobile Energy Storage Power Supply Applications and ...

Summary: Discover how Russian mobile energy storage systems are transforming industries like renewable energy, emergency response, and remote infrastructure. This article explores key ...

Russian Energy Storage Solutions: High-Power Supply for Modern ...

As Russia accelerates its energy transition, high-power storage systems will play a pivotal role in balancing grid stability with industrial growth. The right solution combines rugged construction with ...



Three-phase mobile energy storage container for weather stations

What is a containerized battery energy storage system? s (BESS) offer a streamlined, modular approach to energy storage. Packaged in ISO-certified containers, our Containerized BESS are

quickly storage ...



Russian Energy Storage and Photovoltaic Power Generation

...

This article explores market trends, technological advancements, and practical solutions for industrial and commercial applications in Russia's unique energy landscape.

PUSUNG-R (Fit for 19 inch cabinet)



EnErgy Storagee SyStEmS in ruSSia: an inJection of ...

Will storage systems be economically viable enough to become a widespread solution for installation in power sector?



Three-Phase Cost Analysis of Mobile Energy Storage Containers

This analysis identifies optimal storage

technologies, quantifies costs, and develops strategies to maximize value from energy storage investments. Energy demand and generation profiles, including ...



Russian Power Grid Energy Storage: Configuration Trends

Discover how Russia is transforming its energy infrastructure through advanced power grid storage systems. This article explores current projects, technical configurations, and the growing demand for ...



Solutions for energy storage systems (ESS)

Discover MKS Group's cutting-edge energy storage solutions using CATL battery systems. Ideal for industrial and commercial applications, our solutions enhance energy efficiency and reliability.



Russian power grid cabin-type energy storage power station

In this article authors carried out the analysis of the implemented projects in

the field of energy storage systems (ESS), including world and Russian experience.



Current Experience and Prospects for the Use of Energy Storage ...

Power systems around the world actively use electrical energy storage systems (ESS). Currently, Russia is developing normative and technical documentation with



Contact Us

For catalog requests, pricing, or partnerships, please visit:
<https://www.59empagm.pl>

