

Prices for installing solar panels in different regions



Overview

Click on your state for solar panels cost localized to your city or use the solar calculator above to see the live prices from solar providers near you. org has set up an editorial advisory committee as part of our commitment to the Quality Solar Initiative. Most homeowners spend between \$12,600 and \$33,376 to install a complete residential solar system in 2026, with the national average at \$19,873 before incentives. Here are 2025 average costs across major markets: Example: A typical 6 kW. Calculate 2025 solar panel installation costs, see payback periods, and explore federal and state incentives with our interactive calculator. NLR analyzes the total costs associated with installing photovoltaic (PV) systems for residential rooftop, commercial rooftop, and utility-scale ground-mount systems. This work has grown to include cost models for solar-plus-storage systems. Always check for available incentives or tax credits, which can significantly reduce your out-of-pocket costs.

Prices for installing solar panels in different regions



Solar Panel Installation Costs: Complete Guide 2025 , PVGIS

Discover real solar panel installation costs, potential savings, and how to calculate your return on investment with accurate data and expert insights in 2025.

Solar Panel Cost Guide for 2025 by State

Explore solar panel costs in 2025 by state, including incentives and budgeting tips to make your solar investment smarter.



Solar Panel Installation Costs in 2025: Complete Guide

Calculate 2025 solar panel installation costs, see payback periods, and explore federal and state incentives with our interactive calculator. Off-Grid vs. Grid-Tie: Which Makes Sense? Solar ...

How Much Do Solar Panels

Cost in 2026?

How much does it cost to get solar panels in different states? Solar installation costs vary significantly by location due to differences in labor rates, local incentives, permitting



How Much Does Solar Panel Installation Cost? [2026 ...

Discover the average solar panel installation cost, key price factors, and expert tips to help you budget for your solar project.

How Much Do Solar Panels Cost in 2026?

How much does it cost to get solar panels in different states? Solar ...



How Much Does It Cost to Install Solar Panels? [2025 Data]

Solar panel installation costs an average of \$27,181. Most homeowners spend



between \$3,500 at the low end and a maximum of \$55,000 on a complete system. Where you live, the ...

How Does the Price of Solar Panels Vary by Region? Factors That ...

Solar panel prices depend on a variety of elements that affect production, distribution, and installation.

Understanding the role of these factors reveals why costs differ across regions. Material availability ...



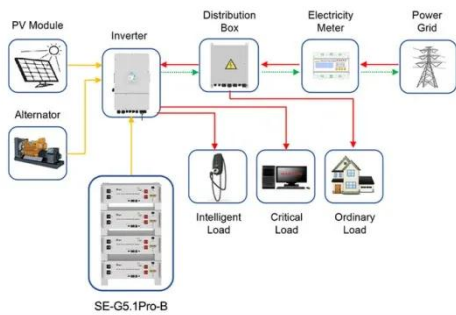
Solar Installed System Cost Analysis , Solar Market Research

NLR analyzes the total costs associated with installing photovoltaic (PV) systems for residential rooftop, commercial rooftop, and utility-scale ground-mount systems. This work has grown ...

See how much it will cost to install solar panels for your

home

Uses local climate data, your roof measurements, current local electric rates and current solar system cost to generate an accurate solar cost and savings estimate, customized for your home.



Application scenarios of energy storage battery products

Solar panel cost in 2026: It may be lower than you think

Solar panels cost about \$30,500 on average--but often pay for themselves several times over through 25-30 years of electricity savings. Why trust EnergySage? If you've been putting off

...

Contact Us

For catalog requests, pricing, or partnerships, please visit:
<https://www.59empagm.pl>

