

Photovoltaic support maintenance standards and specifications



Overview

National Renewable Energy Laboratory, Sandia National Laboratory, SunSpec Alliance, and the SunShot National Laboratory Multiyear Partnership (SuNLaMP) PV O&M Best Practices Working Group. Best Practices for Operation and Maintenance of Photovoltaic and Energy. This report is available at no cost from the National Renewable Energy Laboratory (NREL) at www.nrel.gov. Select the plus sign in the rows below for more information about each specification. Contact FEMP for more information. Always consult and hire qualified professionals to ensure your solar PV system is installed and maintained safely and in compliance with local regulations. Walker, Andy, Jal Desai, Thushara Gunda, and Nicole Jackson. Golden, CO: National Renewable Energy Laboratory. The Renewable Energy Ready Home (RERH) specifications were developed by the U.S. Department of Energy.

Photovoltaic support maintenance standards and specifications



Photovoltaic systems operation and maintenance: A review and future

Compared to previous reviews focusing on specific maintenance elements, this work provides a broader perspective by incorporating planning and organizational factors into the ...

Best Practices in Photovoltaic System Operations and ...

This guide considers Operation and Maintenance (O& M) of photovoltaic (PV) systems with the goal of reducing the cost of O& M and increasing its effectiveness. Reported O& M costs vary widely, and a ...



Photovoltaic support equipment maintenance specifications

Abstract. The goal of this guide is to reduce the cost and improve the effectiveness of operations and maintenance (O& M) for photovoltaic (PV) systems and combined PV and energy storage

Best Practices for Operation and Maintenance of Photovoltaic ...

The goal of this guide is to reduce the cost and improve the effectiveness of operations and maintenance (O& M) for photovoltaic (PV) systems and combined PV and energy storage systems.



PRACTICAL OPERATION AND MAINTENANCE MANUAL FOR ...

The information provided in this guide is for general informational purposes only and should not replace professional advice. Always consult and hire qualified professionals to ensure your solar PV system ...

Guidelines for Operation and Maintenance of Photovoltaic Power ...

The report presents these guidelines according to the following topics: O& M performance indicators and standard O& M operator services, guidelines for monitoring, forecasting, and analysis of PV plant ...



Operation and Maintenance of

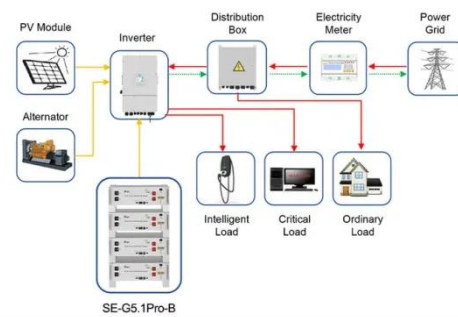
PV Systems: Data Science, ...

Key results associated with this effort include production of a technical specification and report to the IEC committee, published case studies on O& M topics, conduct training, and characterize field data ...



Photovoltaic support maintenance standards and specifications

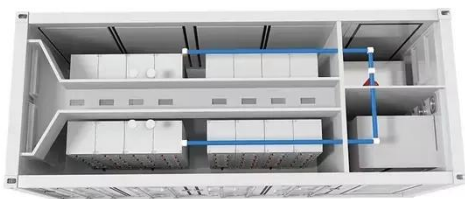
- o Objective #1: Institutionalize standards for reliability and availability reporting for large PV power plants.
- o Key Result #1: Produced an IEC Reliability Technical Specification Comment Draft



Application scenarios of energy storage battery products

Technical Specifications for On-site Solar Photovoltaic Systems

Browse customizable technical specifications templates from FEMP. Customizable template for federal government agencies seeking the construction of one or more on-site solar PV systems.



Solar Photovoltaic:

SPECIFICATION, CHECKLIST AND GUIDE

The RERH specifications and checklists take a builder and a project design team through the steps of assessing a home's solar resource potential and defining the minimum structural and system ...



Contact Us

For catalog requests, pricing, or partnerships, please visit:
<https://www.59empagm.pl>

