

Pay attention to the construction safety of the communication base station energy storage system



Pay attention to the construction safety of the communication base

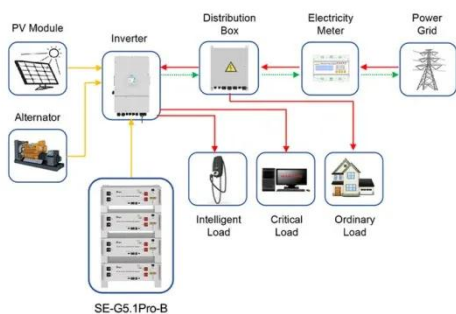


Enhancing Safety in Energy Storage Construction , EB BLOG

Explore the safety challenges and crucial defenses in energy storage systems, essential for mitigating risks and ensuring sustainable growth in the sector.

Energy storage system of communication base station

The Energy storage system of communication base station is a comprehensive solution designed for various critical infrastructure scenarios, including communication base stations, smart cities, smart ...



Application scenarios of energy storage battery products

Communication Base Station Safety Standards , Huijue Group E ...

As 5G deployments accelerate globally, communication base station safety standards face unprecedented challenges. Did you know that 68% of urban base stations now operate beyond ...

Optimal energy-saving operation strategy of 5G base station ...

To further explore the energy-saving potential of 5 G base stations, this paper proposes an energy-saving operation model for 5 G base stations that incorporates communication caching and ...



Construction standards for communication base station ...

The communication base station backup power supply has a huge demand for energy storage batteries, which is in line with the characteristics of large-scale use of the battery by the ...

Optimization Control Strategy for Base Stations Based on Communication

On the basis of ensuring smooth user communication and normal operation of base stations, it realizes orderly regulation of energy storage for large-scale base stations, participates in ...



Energy Storage for Communication Base



The one-stop energy storage system for communication base stations is specially designed for base station energy storage. Users can use the energy storage system to discharge during load peak ...

Energy Storage in Telecom Base Stations: Innovations & Trends

Innovative Applications and Development Trends of Energy Storage Technologies in Communication Base Stations Explore cutting-edge Li-ion BMS, hybrid renewable systems & second-life batteries for ...



How do energy storage systems ensure 24/7 stable operation of

This occasion provided the operator with an opportunity to adopt a containerized communication base station energy storage system integrating photovoltaic panels, liquid-cooled ...

Energy Storage Solutions for Communication Base Stations

Moreover, an effective energy storage system can increase the longevity of equipment by providing stable and clean power, thereby reducing maintenance costs and downtime. Future ...



Contact Us

For catalog requests, pricing, or partnerships, please visit:
<https://www.59empagm.pl>

