

Off-grid type of photovoltaic energy storage cabinet for airports



Overview

An Outdoor Photovoltaic Energy Cabinet is a fully integrated, weatherproof power solution combining solar generation, lithium battery storage, inverter, and EMS in a single cabinet. It delivers clean, stable power for telecom base stations located in off-grid or unstable-grid. What is the price of factory energy storage cabinet?

In conclusion, comprehensively understanding the price of factory energy storage cabinets reveals a multifaceted landscape driven by technology, capacity, installation and This integrated solar battery storage cabinet is engineered for robust. EK photovoltaic micro-station energy cabinet is a highly integrated outdoor energy storage device. Its core function is to convert renewable energy such as solar energy and wind energy into stable electricity, and realize energy storage, distribution and monitoring through intelligent energy. Highjoule's Outdoor Photovoltaic Energy Cabinet and Base Station Energy Storage systems deliver reliable, weather-resistant solar power for telecom, remote sites, and microgrids. Sustainable, high-efficiency energy storage solutions.

Off-grid type of photovoltaic energy storage cabinet for airports

Airport Photovoltaic Energy Storage: Powering the Future of ...

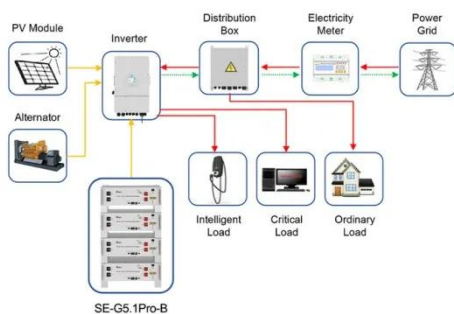


51.2V 150AH, 7.68KWH

Because airport photovoltaic energy storage systems solve two critical challenges - reducing carbon footprints and slashing energy bills. Let's unpack how this works (and why your next ...

Outdoor Photovoltaic Energy Cabinet

Combines high-voltage lithium battery packs, BMS, fire protection, power distribution, and cooling into a single, modular outdoor cabinet. Uses LiFePO4 batteries with high thermal stability, extensive cycle ...



Application scenarios of energy storage battery products

Off-grid solar energy storage cabinet type ex-factory price

Wondering how much a modern energy storage charging cabinet costs? This comprehensive guide breaks down pricing factors, industry benchmarks, and emerging trends for ...

Market Price of Off-Grid Smart Photovoltaic Energy Storage Cabinets ...

Photovoltaic energy storage cabinets aren't just metal boxes - they're the Swiss Army knives of modern energy solutions. Imagine storing sunshine like squirrels hoard acorns, ...

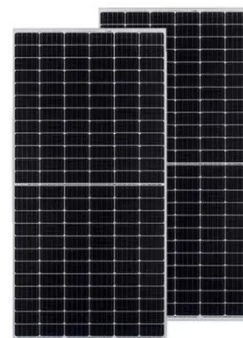


Outdoor Photovoltaic Energy Cabinet, Base Station Energy Storage

An Outdoor Photovoltaic Energy Cabinet is a fully integrated, weatherproof power solution combining solar generation, lithium battery storage, inverter, and EMS in a single cabinet.

Outdoor Cabinet Energy Storage System (ESS) for PV Storage

Request quotes, compare prices, and simplify your procurement. Standardized Structure Design: Includes energy storage batteries, power conversion systems (PCS), photovoltaic modules, and ...



Energy Storage Enclosures/Cabinets , Modular

Design to Meet ...

Our battery storage cabinets are constructed with a modular design, providing optimal flexibility for businesses across various sectors. Our power storage cabinets also adhere to safety and quality ...



Outdoor Cabinet Energy Storage System

With the patented technology of virtual synchronous machine features, it can realize the function of multiple remote free parallels without communication lines and off-grid switching;



100 kWh-500kWh Outdoor All-in-one Energy Storage Cabinet

This integrated solar battery storage cabinet is engineered for robust performance, with system configurations readily scalable to meet demands such as a 100kwh battery storage requirement.



EK Photovoltaic Micro Station Energy Cabinet

The EK photovoltaic micro-station energy storage cabinet has redefined the power

supply mode of distributed energy scenarios with its core advantages of "intelligent integration, multi-energy ...



Contact Us

For catalog requests, pricing, or partnerships, please visit:
<https://www.59empagm.pl>

