

Luanda containerized solar container energy storage system supply



Overview

Phase one deployment (2024-2026) combines lithium-ion battery arrays with solar-powered pumping storage - a hybrid approach that's kind of revolutionary for South Asia. Pre-fabricated containerized solutions now account for approximately 35% of all new utility-scale. The global solar storage container market is experiencing explosive growth, with demand increasing by over 200% in the past two years. North America leads with 40% market. LZY offers large, compact, transportable, and rapidly deployable solar storage containers for reliable energy anywhere. SunContainer Innovations - As Angola transitions toward renewable energy, large-scale battery storage systems are becoming critical for grid stability. This article explores the growing demand, key applications, and data-driven insights shaping. What is pcs-8812 liquid cooled energy storage cabinet?

PCS-8812 liquid cooled energy storage cabinet adopts liquid cooling technology with high system protection level to conduct fine temperature control for outdoor cabinet with integrated energy storage converter and battery. Ideal for remote areas, emergency rescue and commercial applications. Fast deployment in all climates.

Luanda containerized solar container energy storage system supply

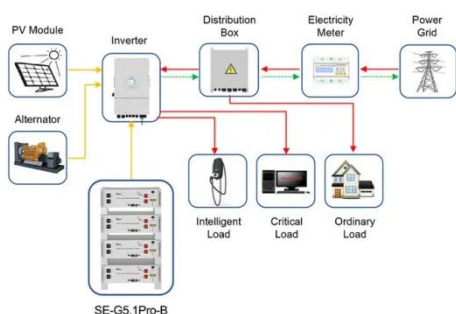


LUANDA ENERGY STORAGE PROJECT POWERING ANGOLA S

Technological advancements are dramatically improving solar storage container performance while reducing costs. Next-generation thermal management systems maintain optimal operating ...

Luanda Mobile Energy Storage Power Supply Opportunities and ...

This article explores the growing demand, key applications, and data-driven insights shaping Angola's mobile energy storage market.



Application scenarios of energy storage battery products

Independent Energy Storage Power Stations in Luanda: Key ...

We specialize in large-scale energy storage systems, mobile power stations, distributed generation, microgrids, containerized energy storage, photovoltaic projects, photovoltaic products, solar industry ...

Luanda big solar container system

One mid-sized manufacturer recently deployed a 20MW solar-plus-storage system for a copper mine, reducing diesel consumption by 78%. This case demonstrates how Angolan energy ...



✓ IP65/IP55 OUTDOOR CABINET

✓ ALUMINUM

✓ OUTDOOR ENERGY STORAGE CABINET

✓ OUTDOOR MODULE CABINET

Luanda Energy Storage Project Powering Angola S Eqacc Solar

This article explores the project's implications, challenges, and actionable insights for stakeholders in renewable energy and infrastructure. . Phase one deployment (2024-2026) combines lithium-ion ...

Luanda Photovoltaic Power Generation Project Energy Storage ...

The Luanda photovoltaic power generation project is a blueprint for sustainable energy in Africa. By integrating advanced storage solutions, Angola can achieve energy independence, lower costs, and ...



Luanda big solar container system



Go big with our modular design for easy additional solar power capacity. Customize your container according to various configurations, power outputs, and storage capacity according to your needs. ...

LUANDA ENERGY STORAGE CABINET CONTAINER ...

What is a containerized energy storage system? The Containerized energy storage system refers to large lithium energy storage systems installed in sturdy, portable shipping containers, which usually ...



LUANDA ENERGY STORAGE PROJECT POWERING ANGOLA S

Intelligent Photovoltaic Energy Storage Container 350kW Project Financing What is a mobile solar PV container? High-efficiency Mobile Solar PV Container with foldable solar panels, advanced lithium ...

LUANDA ENERGY STORAGE RESEARCH AND DEVELOPMENT

Technological advancements are

dramatically improving solar storage container performance while reducing costs. Next-generation thermal management systems maintain optimal operating ...



Contact Us

For catalog requests, pricing, or partnerships, please visit:
<https://www.59empagm.pl>

