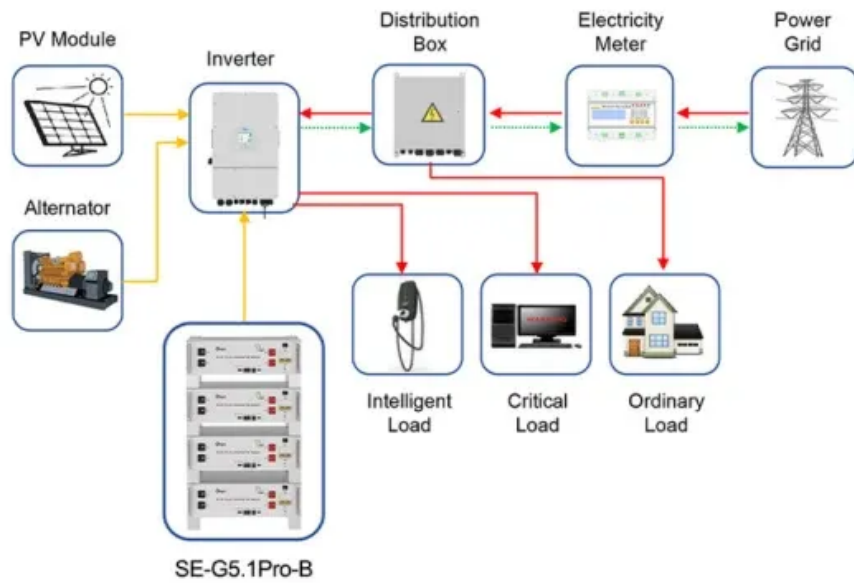


# Light 40w solar street light



Application scenarios of energy storage battery products



## Light 40w solar street light

---



### **POLLUX Solar LED Street Light , 40 Watt , Parking Lot Light**

Pollux Solar LED Street Light in 40 Watt - is economical, easy to install, completely off-grid, and unique new design with all the solar lighting advantages. A great solution for areas such as pathway, parking ...

---

### **40W Outdoor Solar Street Wall Light , Solar Street Light**

This 40W Outdoor Solar Street Wall Light is extremely bright and will illuminate the dark instantly. These street lights at night are intended for use in a variety of lighting applications such as gardens, ...



Sample Order  
UL/KC/CB/UN38.3/UL



---

### **40W Solar Street Light 4000 Lumens - homeandlighting**

Estimated delivery between February 04 and February 06. This 40W Solar Street Light 4000 Lumens features super-bright LEDs that will light up the dark in a matter of seconds.

## 40W Solar Street Light 40 Watt Solar Street Lights Dusk to Dawn

The 40w solar street lamp can be quickly mounted on a pole, it does not require additional hard-wire links. Solar power can be illuminated all year round, no wiring, no AC or DC power.



## 40W LED Solar Street Light with Motion Sensor

The Vayda Solar Street Lights are engineered for durability, featuring an IP65 rating for superior waterproof protection, making them ideal for outdoor environments.

## 40 Watts LED Solar Street Light , Parking Lot Light , Greenlytes

Philips High Efficiency LEDs with heat dissipation design, pure ...



## 40W Solar Street Light, 40 Watt All In One Solar LED Street Light

Anern 40W solar street light is a powerful lighting solution that combines



a robust and intelligent LED head with an adjustable solar panel bracket. The 40 watt solar light uses high-efficiency Bridgelux ...

## Solar LED Street Light 40 Watt 4300 Lumens 5000K Parking Lot Light

Philips High Efficiency LEDs with heat dissipation design, pure aluminum lamp base with seal lens for an optimal lighting and life span. The light automatically switches on at dusk and switches off at dawn. ...



## 40 Watts LED Solar Street Light , Parking Lot Light , Greenlytes

Introducing the 40 Watts LED Solar Street Light, your new go-to for versatile and resilient solar illumination. This beacon of brightness thrives under any weather conditions, making it a constant ...



## 40W Solar Street Lamp -

## Edison Lighting Supply

Bring light to outbuildings without a power source. Provides 8-10 hours of light with a fully charged battery.



## 40W All In One LED Solar Street Light , JKCSolar ,Street Light

The 40w solar LED street light has a built-in solar panel, a rechargeable lithium-ion battery, a high-efficiency LED light source, and a motion sensor for enhanced security.

## Contact Us

For catalog requests, pricing, or partnerships, please visit:  
<https://www.59empagm.pl>

