


# Intelligent Energy Storage Cabinet for Wind Power Generation 1500V



**CONTAINER  
TYPE ENERGY  
STORAGE SYSTEM**

Energy storage system

**FC RoHS CE** 



## Intelligent Energy Storage Cabinet for Wind Power Generation 1500

---



### Energy Storage Cabinet\_SOFAR

Safety designs such as water and electricity separation, three-level fire protection + explosion venting + exhaust, liquid cooling + dehumidification design, all ensure the safety of the energy storage ...

### All-in-One Energy Storage Cabinet & BESS Cabinets , Modular, ...

Our systems seamlessly integrate with solar energy storage and wind energy storage, maximizing the use of renewable resources and reducing reliance on fossil fuels.



### How about Weiheng Intelligent Energy Storage Cabinet

Weiheng Intelligent Energy Storage Cabinets operate by storing energy during low-demand periods, which can later be released during high-demand times. They utilize sophisticated battery ...

## Household wind and solar storage cabinet

The Household Wind and Solar Storage Cabinet is designed to provide reliable power in off-grid scenarios like rural India. It integrates multiple energy sources, including solar, wind, and backup ...



### Lithium Solar Generator: \$150



## High-Performance Energy Storage Systems ...

With outstanding design and exceptional performance, these cabinets are indispensable components of advanced energy storage solutions.

## Energy Storage Cabinets: Key Solutions for Renewable Energy Systems

Summary: Discover how energy storage cabinet manufacturers are revolutionizing renewable energy integration across industries. This guide explores technical advancements, market trends, and ...



## All-In-One Industrial and Commercial Energy Storage

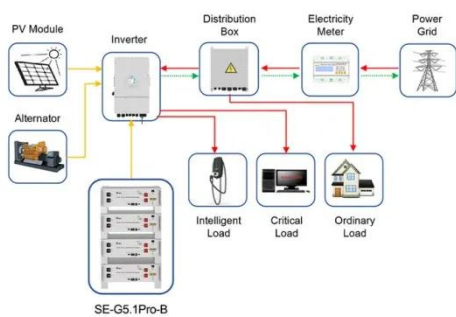
## Cabinet System



All-in-one, high-performance energy storage system for various industrial and commercial applications. Highly suitable for all kinds of outdoor applications such as EV charging stations, industrial parks, ...

## 1500V String Outdoor Cabinet Type Energy Storage System

Our main products are solar inverters, solar charge controllers, energy storage systems, batteries, etc., which are widely used in home, commercial, and industrial domain, providing customers with high ...



Application scenarios of energy storage battery products

## 1MWh Energy Storage Container System

The system adopts lithium iron phosphate battery technology, with grid-connected energy storage converter, intelligent control through energy management system (EMS).

## Cabinet Energy Storage System , VREMT

Standardized and scalable design for long-lasting, intelligent energy storage.

Compact footprint with high single-cell energy density. Single cabinet footprint reduced by over 20%, with multi-unit scalability for ...



---

## Contact Us

---

For catalog requests, pricing, or partnerships, please visit:  
<https://www.59empagm.pl>

