

Installation of photovoltaic panels drawings



✓ 50KW/100KWH

✓ HIGHER POWER OUTPUT
IN OFF-GRID MODE

✓ CONVENIENT OPERATION
& MAINTENANCE

✓ PRE-WIRED



Installation of photovoltaic panels drawings



How to Read and Interpret Solar PV CAD Drawings

These are precise, computer-aided design drawings (think AutoCAD or similar) that lay out everything for your PV system: panel placement, wiring routes, structural attachments, ...

Solar Photovoltaic: SPECIFICATION, CHECKLIST AND GUIDE

These are precise, computer-aided design drawings (think AutoCAD or similar) that lay out everything for your PV system: panel placement, wiring routes, structural attachments, ...



Solar Photovoltaic: SPECIFICATION, CHECKLIST AND GUIDE

Provide architectural drawing and riser diagram of RERH solar PV system components. Provide to the homeowner a copy of this checklist and all the support documents listed below (to be provided to ...

Structural drawings of photovoltaic panel installation

A solar structural engineering report typically includes a detailed analysis of the existing structure, an assessment of the proposed solar panel system, and the impact of the



Photovoltaic solar panel structure drawings

Installing a photovoltaic (PV) array starts with selecting a suitable mounting structure, which will support the solar panels and place them at an optimal angle to receive

Mastering Photovoltaic Panel Construction Drawings: From Blueprint ...

Ever tried assembling furniture without instructions? That's what installing solar panels feels like without proper photovoltaic panel construction drawings. These technical documents are the DNA of any ...



Architectural Drawings for Solar Photovoltaic Systems

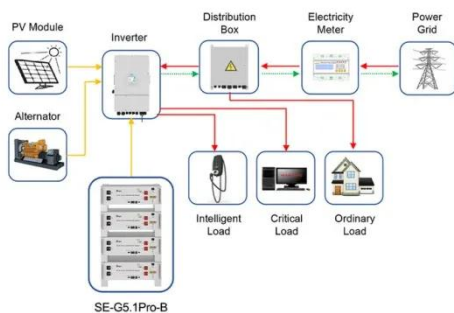
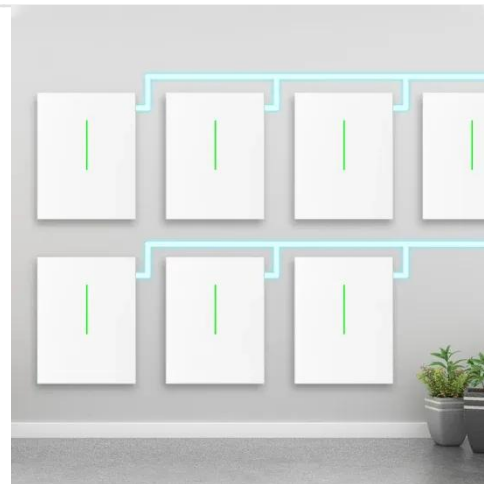
Our Lifepo4 batteries can be connected in parallel and in series for larger capacity and voltage.



This measure guide describes the need to provide an architectural drawing for a future solar photovoltaic installation.

Photovoltaic panel construction detailed drawings

AESTHETICALLY PLEASING. Detailed visual solar panel layouts before installation, emphasising sleek and modern solar panel designs, clever placement to maximise efficiency without compromising ...



Application scenarios of energy storage battery products

Solar Photovoltaic

In this category dwg there are files useful for designing a photovoltaic system, solar systems, solar panels to produce electricity.

How to Draw an Electrical Diagram for a Photovoltaic Installation and

In this article, we will discuss how to

draw a PV installation diagram and the protections that should be included, along with the symbols used to represent them.



Solar Technical Drawings

Technical drawings showing installation of integrated solar PV and solar thermal panels in slate and tile roofs and solar thermal plumbing systems

Contact Us

For catalog requests, pricing, or partnerships, please visit:
<https://www.59empagm.pl>

