

Industrial Park Photovoltaic Bracket Franchise



Overview

The photovoltaic (PV) bracket industrial chain comprises upstream, midstream, and downstream sectors, each playing a crucial role in the production and distribution of solar mounting systems. Statistics from the Solar Energy Industries Association (SEIA) reinforce the industry's growth potential, with a 33% annual increase in solar installations over the last decade. 9 gigawatts of solar capacity already installed nationwide—enough to power 23 million homes—yet only. It was established in 2020 and is a physical factory specializing in the production of metal products such as solar brackets, solar carport, solar panel roof mounts, solar ground mounts, solar rail, solar panel rain gutters, CZU steel profiles, etc. With a registered capital of 50 million yuan, the Shandong Jining Huaqin Industrial Park 1. 2 million square meters of photovoltaic projects The comprehensive solution of solar PV system for industrial parks builds distributed PV power generation network by installing PV power generation equipment on the roofs of buildings, open spaces and other. Photovoltaic Bracket Market report includes region like North America (U. S, Canada, Mexico), Europe (Germany, United Kingdom, France), Asia (China, Korea, Japan, India), Rest of MEA And Rest of World. Photovoltaic Bracket Market size is estimated to be USD 4. Upstream activities involve the extraction and processing of raw materials required for the manufacturing.

Industrial Park Photovoltaic Bracket Franchise



Solar Franchise Opportunities

Discover profitable solar franchise opportunities! Learn how to tap into the booming renewable energy market with a sustainable business that offers strong growth potential

Comprehensive Solutions for Solar Photovoltaic Systems in Industrial

Transition to green energy in the industrial park to achieve annual emission reduction of more than 4000 tons of CO₂, to meet the requirements of ESG certification, and to enhance the ...



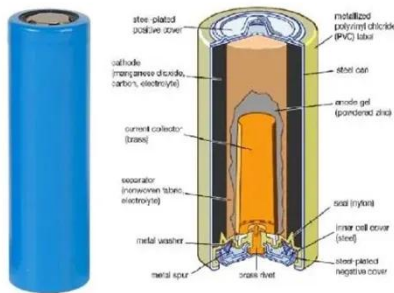
Photovoltaic Bracket Market Analysis

The photovoltaic (PV) bracket industrial chain comprises upstream, midstream, and downstream sectors, each playing a crucial role in the production and distribution of solar mounting systems.



Photovoltaic Brackets Manufacturers, Suppliers, Designers

Future Energy Steel offers a wide range of high-quality photovoltaic brackets specifically engineered for modern solar energy systems. Designed for durability and precision, our brackets ensure stability ...



Solar Bracket Manufacturer, Solar Carport, solar Ground Mount ...

JCHX stenting products are widely used in commercial buildings, family homes, large venues, photovoltaic projects, industrial plants, animal husbandry, agricultural construction, ships, ...

Industrial Park Photovoltaic Bracket Manufacturers Ranking: 2025 ...

As industrial parks globally adopt photovoltaic bracket solutions, manufacturers are racing to deliver smarter, sturdier systems. Let's dissect the 2025 landscape through three key lenses: production ...



Leading Solar Bracket Manufacturer in China -Jucai

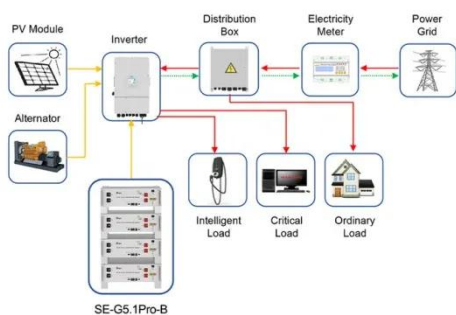
Huixin

At Jucai Huixin, We will strictly control the quality of raw materials and finished photovoltaic brackets, from length, thickness, height, to the thickness of the anti-corrosion coating, to the drilling position, ...



Solar Photovoltaic Bracket Market Size & Statistics 2026

The solar photovoltaic (PV) bracket market is crucial for supporting the expanding solar energy industry. PV brackets ensure optimal positioning of solar panels, boosting energy generation ...



Application scenarios of energy storage battery products

Photovoltaic Bracket Market Size, Competitive Research & Forecast ...

Access detailed insights on the Photovoltaic Bracket Market, forecasted to rise from USD 4.5 billion in 2024 to USD 9.2 billion by 2033, at a CAGR of 8.6%. The report examines critical market trends, key ...

Photovoltaic Bracket Market Report , Global Forecast From

2025 To ...

The integration of a Solar Photovoltaic (PV) Panel Handling System is becoming increasingly crucial in the photovoltaic bracket market. As solar installations grow in size and complexity, the need for

...



Contact Us

For catalog requests, pricing, or partnerships, please visit:
<https://www.59empagm.pl>

