

Huawei s dedicated solar container battery factory in Osaka Japan



Huawei s dedicated solar container battery factory in Osaka Japan

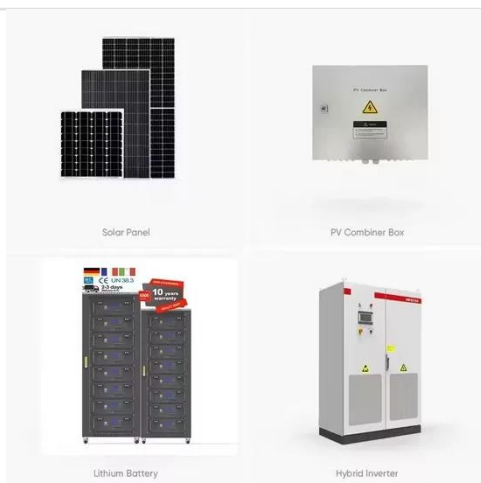


Huawei s dedicated energy storage battery factory in Japan

Earlier, there were media reports that Huawei plans to start selling large batteries for renewable energy storage in Japan in March and will buy small battery packs from

Energy Storage System Products List , HUAWEI Smart PV Global

Energy Storage System Products List covers all Smart String ESS products, including LUNA2000, STS-6000K, JUPITER-9000K, Management System and other accessories product series.

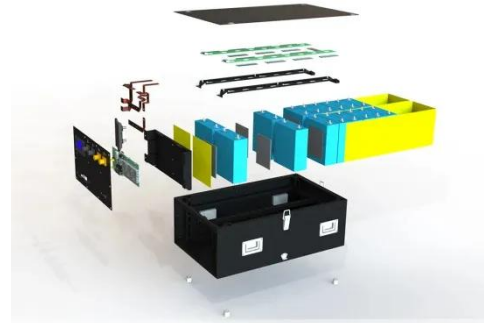


Huawei s dedicated energy storage battery factory in Japan

Huawei is introducing the next-generation LUNA2000-4472-2S and LUNA2000-4.5MWh battery energy storage systems, both offering higher energy density through the latest liquid cooling technology.

Huawei, in competition with Tesla, will sell high-capacity renewable

Now, the Chinese tech giant will buy small battery packs from the CATL era and combine them into container-sized units, each of which can store 2,000 kilowatt-hours of electrical energy -- ...

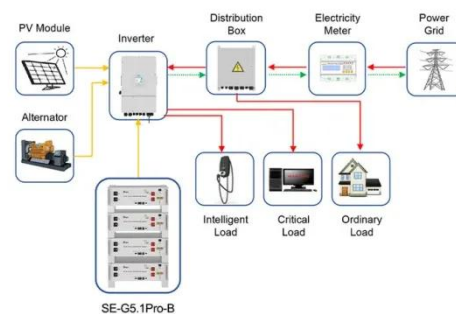


Huawei s dedicated energy storage battery factory in Osaka Japan

Huawei will combine small battery packs into container-sized units for sale to customers in Japan, with capacities that can be adjusted to meet actual application needs, to meet Japan"s demand for ...

Huawei Japan Osaka Battery Energy Storage

Now, the Chinese tech maker will purchase small battery packs from CATL and bundle them into shipping container-sized units that can each store 2,000 kilowatt-hours of energy -- roughly 200 ...



Application scenarios of energy storage battery products

JAPAN OSAKA CONTAINER

ENERGY STORAGE PROJECT



Next-generation battery management systems maintain optimal operating conditions with 45% less energy consumption, extending battery lifespan to 20+ years. Standardized plug-and-play designs ...

How is Huawei's Japanese energy storage battery? , NenPower

Huawei's energy storage battery, developed with advanced technology, represents a significant leap in the field of energy storage solutions. The modular design allows for easy scaling ...



Japan's Photovoltaic Container Manufacturers: Powering Osaka's Solar

These modular systems combine solar panels and battery storage in portable units, offering scalable energy solutions for industries ranging from urban infrastructure to disaster relief operations.

Huawei FusionSolar Flow Battery Storage Revolutionizes

...

That's where Huawei's FusionSolar Flow Battery Storage enters stage left, armed with industrial-strength peak shaving capabilities specifically designed for Japan's unique energy landscape.



Contact Us

For catalog requests, pricing, or partnerships, please visit:
<https://www.59empagm.pl>

