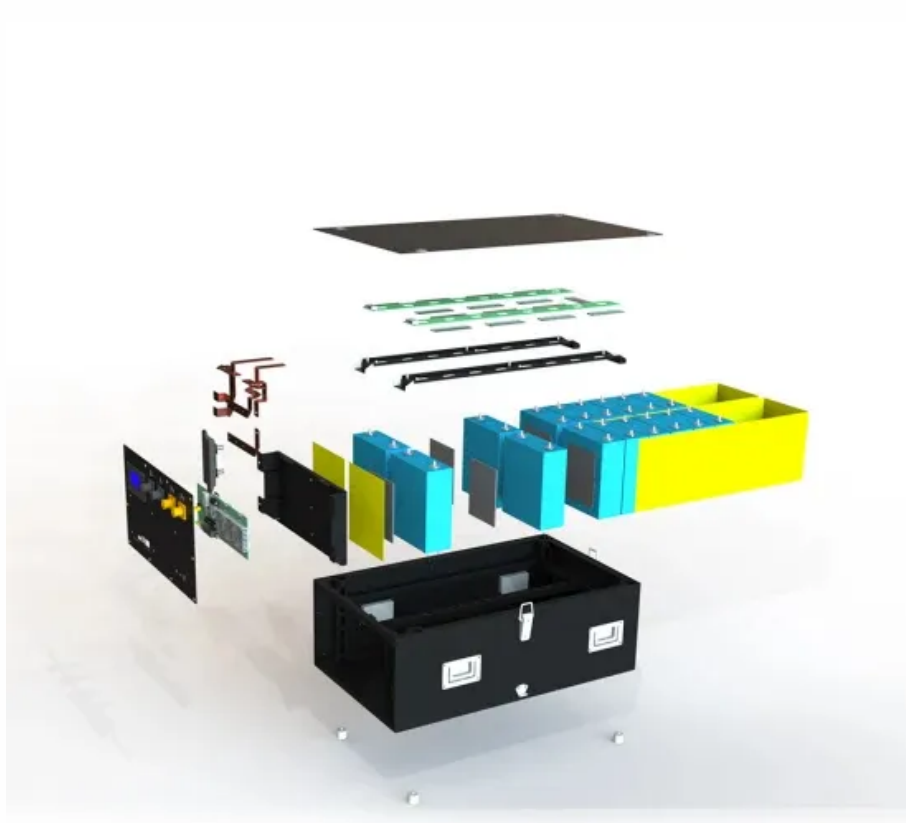


How to detect whether the photovoltaic panel is

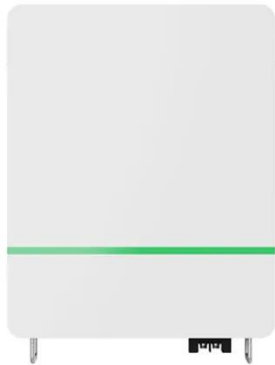


Overview

We'll walk through three solid methods you can use to check on your panels. Dive into your monitoring data for a quick, digital-first assessment. Run a safe electrical test if you're comfortable getting a. Responsible persons can therefore recognize immediately if the yield drops because something is wrong with the system. We will be happy to explain to you how a photovoltaic system works and what can be done in the event of a fault to rectify the damage. This article outlines practical methods for assessing panel quality—appearance checks, label verification, and electrical measurements—to help you make informed decisions. These steps will enhance your purchase choices. Wondering if your solar panels are pulling their weight?

The quickest way to find out is right in your pocket.

How to detect whether the photovoltaic panel is

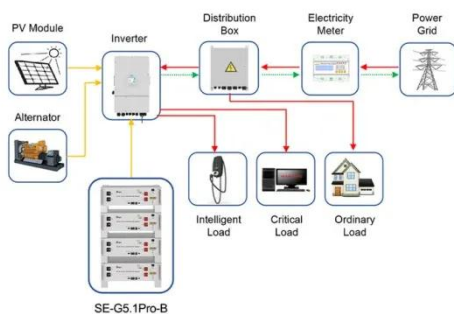


9 Ways To Check If Your Solar Panels Are Working

9 Ways To Check If Your Solar Panels Are Working. Discover the essential steps to ensure your solar panels are functioning optimally with these 9 practical methods. Learn how to effectively monitor and evaluate the ...

Detect defective solar modules quickly » Checking the PV system

In order to be able to find the fault in the photovoltaic system quickly in the event of a malfunction, it is necessary to know the structure and function of a solar module or a complete solar system.



Application scenarios of energy storage battery products

How to Test Solar Panels: Measuring Output and Panel Performance

Testing is essential for the performance of the solar panels. Technicians are able to quantify performance and, more specifically, calculate output that centers the solar panel's actual weight and identify ...

How to tell if solar panel is working: quick guide

Learn how to tell if solar panel is working with simple visual checks, monitoring tips, and safe multimeter tests.



How to Test Solar Panels for Common Problems , Fluke

Learn how to test solar panels and troubleshoot common problems like faulty panels, poor wiring, and inverter issues.

Testing Solar Panels for Authenticity: A Step-by-Step ...

Learn how to verify solar panel authenticity with this step-by-step guide. Discover the best methods to check solar panels



How to Test a Solar Panel: A Comprehensive Guide

Learn how to test a solar panel with our step-by-step guide. Check voltage, current, and wattage to ensure optimal

performance and efficiency for your solar system.



Testing Solar Panels: A Beginner's Guide

Regularly conducting tests and inspections on solar panels can identify potential issues such as shading problems, dirt buildup, electrical faults, and physical damage in their early stages. Detecting these ...



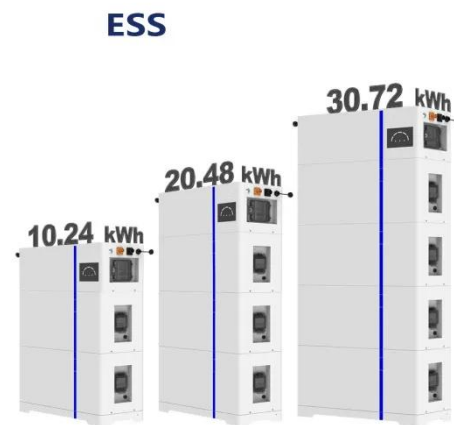
How to Test Solar Panels: A Complete Step-by-Step Guide

In this article, we'll walk you through the essential tests--voltage, amperage, and wattage--using a multimeter. You'll also learn how to identify underperforming panels, troubleshoot common issues, and ...

How to Check the Quality of Solar Panels in 3 Simple Steps

Learn how to assess the quality of solar

panels, including appearance inspection, label verification, and electrical parameter measurement. Master these practical tips to choose efficient and ...



Contact Us

For catalog requests, pricing, or partnerships, please visit:
<https://www.59empagm.pl>

