

How to charge energy storage lithium battery better



Overview

Use chargers made for lithium-ion batteries and control charging current to avoid overcharging and extend battery life. It's all about a few simple, smart habits. Now, consider your home energy. Lithium batteries—including lithium-ion (Li-ion), lithium iron phosphate (LiFePO₄), and lithium polymer (LiPo)—power everything from smartphones and laptops to RVs, golf carts, and portable power stations. Their high energy density and lightweight design make them indispensable, but improper. Whether you're a consumer electronics enthusiast, a power tool user, or an electric vehicle owner, understanding the best practices for charging, maintaining, and storing lithium batteries is crucial to maximizing their performance and prolonging their lifespan. At CompanyName, we have compiled a. Lithium battery packs have revolutionized how we power our devices by providing high energy density and long-lasting performance. The lightweight nature of lithium.

How to charge energy storage lithium battery better

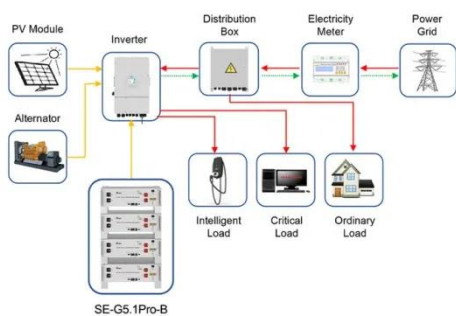


Best Practices for Charging, Maintaining, and Storing Lithium Batteries

Properly maintaining and caring for your lithium-ion batteries can mitigate the effects of battery aging. By implementing storage guidelines, charging practices, and avoiding excessive discharge, you can ...

How to Charge a Lithium-Ion Battery Properly: Step-by-Step Guide

In this guide, we'll walk you through the best practices for charging lithium-ion batteries, debunk common myths, and offer tips to keep your devices running efficiently for the long haul.



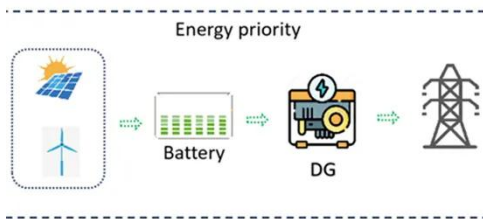
Application scenarios of energy storage battery products

How to Properly Charge Lithium-ion Batteries for Maximum Life

Following best practices for charging and using a dedicated battery charger ensures safe, reliable lithium battery charging for your applications. Use chargers made for lithium-ion batteries and ...

How to Charge a Lithium Battery Safely and Effectively

With proper charging, you can triple your battery's life, avoid costly replacements, and stay safe. In this guide, we'll walk you through the safest and most effective methods to charge ...



How to Charge Lithium Battery

This comprehensive guide explains how to charge lithium battery correctly, covering key topics like battery chemistries, charging stages, safety protocols, compatible chargers, and ...

How to Charge a Lithium Battery Like a Pro in 2025?

Want to know how to charge a lithium battery like a pro? Discover 7 charging methods and additional tips for safe, efficient, and long-lasting performance.



How to Charge Your Lithium Ion Battery for a Longer Life

Discover lithium ion battery charging best practices to extend your battery

life, enhance safety, and save money on devices.



Optimal Lithium Battery Charging: A Definitive Guide

Unlock the secrets of charging lithium battery packs correctly for optimal performance and longevity. Expert tips and techniques revealed in our comprehensive guide.



✓ TELECOM CABINET

✓ BRAND NEW ORIGINAL

✓ HIGH-EFFICIENCY

The Ultimate Guide to Lithium Battery Charging: Maximize Lifespan ...

Learn correct lithium battery charging techniques to extend lifespan. Key tips: avoid full cycles, use 20%-80% range, prevent extreme temperatures, and choose certified chargers.

Best Practices for Charging, Maintaining, and Storing Lithium Batteries

Unlock the secrets of charging lithium battery packs correctly for optimal performance and longevity. Expert tips and techniques revealed in our ...



How to Charge Lithium-Ion Battery the Right Way

Learn how to charge a lithium battery the right way -- including best practices, common mistakes to avoid, and proven tips to extend its lifespan.

Contact Us

For catalog requests, pricing, or partnerships, please visit:
<https://www.59empagm.pl>

