

How much does the energy storage cabinet system cost



Overview

Cost range overview: Installed BESS for residential-scale systems typically falls in the \$7,000-\$30,000 band, with per-kilowatt-hour prices commonly around \$1,000-\$1,500 depending on chemistry and vendor. Whether you're a factory manager trying to shave peak demand charges or a solar farm operator staring at curtailment losses, understanding storage costs is like knowing the secret recipe to your grandma's apple pie. Our analysis targets: Think of an energy storage cabinet as a tech-savvy Russian. Wondering how much a modern energy storage charging cabinet costs?

This comprehensive guide breaks down pricing factors, industry benchmarks, and emerging trends for commercial and industrial buyers. This guide presents cost and price ranges in USD to help plan a budget and compare quotes. The size and capacity of the system, 2.

How much does the energy storage cabinet system cost



New Energy Storage Charging Cabinet Price List: 2024 Cost Guide

Wondering how much a modern energy storage charging cabinet costs? This comprehensive guide breaks down pricing factors, industry benchmarks, and emerging trends for commercial and industrial ...

Battery Energy Storage System Cost Guide for Buyers 2026

This guide presents cost and price ranges in USD to help plan a budget and compare quotes. The information focuses on installed costs, including hardware, labor, and soft costs.



What You Need to Know About the Cost and Incentives for Residential

When all factors are considered, including battery, inverter, installation, and other components, the total cost for a residential energy storage system typically ranges from \$10,000 to ...

Understanding Energy Storage Booster Cabinet Costs in 2024

These technological marvels have become the backbone of renewable energy systems, combining battery storage with smart management capabilities. But let's cut to the chase - how much does this ...

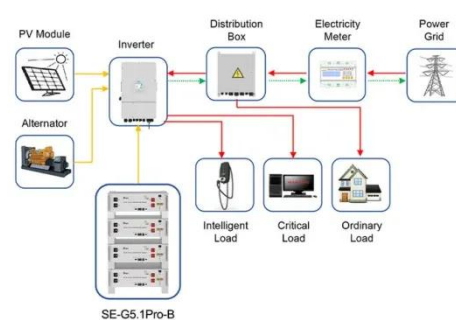


Are Energy Storage Cabinets Worth It

The initial cost of an energy storage cabinet depends on battery capacity, inverter size, and system configuration. While the upfront investment may seem significant, ROI can be achieved in 3-6 years ...

How much does a household energy storage cabinet cost?

The initial investment in a household energy storage cabinet encompasses the cost of the unit, installation, and related components. Basic models may begin around \$5,000, but mid-range ...



Application scenarios of energy storage battery products

The Cost of Home Energy Storage Systems: A Complete Guide



The cost of a home energy storage system can vary widely based on several factors. On average, you can expect to pay between \$5,000 and \$15,000 for a good system.

Energy Storage Cabinet Cost Analysis: What You Need to Know in 2025

Whether you're a factory manager trying to shave peak demand charges or a solar farm operator staring at curtailment losses, understanding storage costs is like knowing the secret recipe ...



What's the Price of a Household Energy Storage Cabinet? Your 2025 ...

Household energy storage cabinet prices aren't one-size-fits-all. Think of them like smartphones: basic models get the job done, but premium features cost extra. Here's what drives the ...



How much does the energy storage cabinet equipment

cost?

On average, the installation expenses can range anywhere from 10 to 30% of the total system cost, depending on site conditions and the extent of required electrical upgrades. ...



Contact Us

For catalog requests, pricing, or partnerships, please visit:
<https://www.59empagm.pl>

