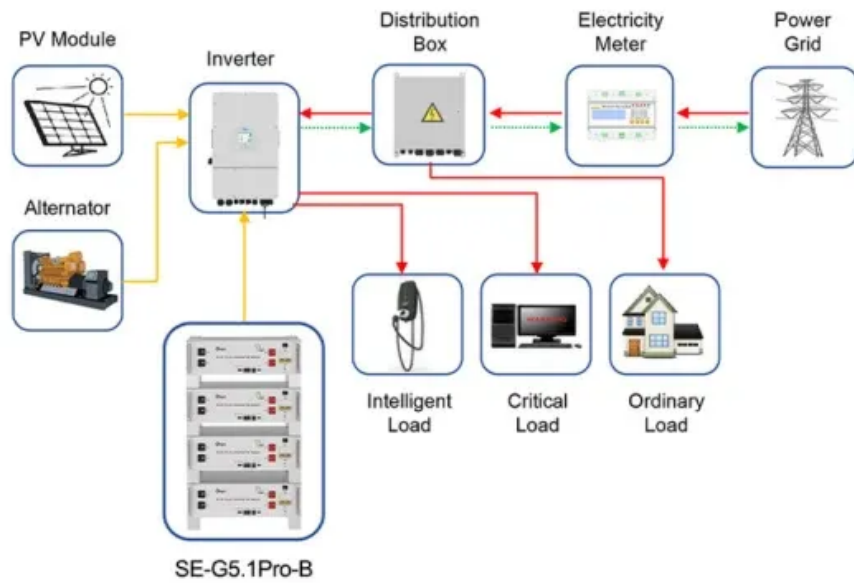


Home inverter field



Application scenarios of energy storage battery products



Overview

In this guide, we break down the best off-grid inverters of 2025 based on your energy needs, features, and budget. Its 3000W continuous power easily handles multiple devices like laptops, TVs, and small appliances. The high-frequency transformer and pure copper cables ensure efficiency. Our home energy managers in charge of PV production, battery storage, backup applications, and smart energy devices. Our optimized home inverters solution offers greater design. Investing in a residential solar inverter is one of the most important decisions for homeowners looking to maximize their solar energy system's efficiency.

Home inverter field



Inverter Guide 2025: Top Off-Grid Picks

Inverter comparison for 2025: Explore the best off-grid inverters for cabins, homes, and commercial setups with expert picks and performance tips.

Solar Power Inverters: How to Choose the Right Type for Your Home ...

In this guide, we'll walk you through the fundamentals of solar inverters, explore different types such as micro inverters, hybrid inverters, and off-grid options, and provide practical tips to help ...



LPR Series 19
Rack Mounted



Best Inverters For Home Use [Updated: February 2026]

Consumer reviews on top home inverters provide insights into performance, reliability, user experience, and customer service. These reviews help potential buyers make informed decisions.

Best Solar Inverters for Homes 2026

Select the best solar inverter for your home solar system with our in-depth guide. Explore inverter types, pros, cons, and FAQs for informed decision-making.



Best Solar Inverters for Homeowners in 2026

Just like solar 's picks for best solar panels and batteries, the best inverter for your home depends on a number of factors. We've narrowed down the top products of 2026, but the best ...

Types of solar inverters: microinverters vs string inverters

String inverters are more applicable for solar panels placed on simple, flat surfaces. For example, they're often used for utility-scale systems where a lot of energy is being produced in a field with little to no ...



Residential Solar Inverter: Ultimate Guide for Homeowners



String inverters are the most common type of solar inverter found in residential installations. They work by connecting a series, or "string," of solar panels together, sending the ...

The Perfect Solar Inverter for Your Home (Expert Recommendations)

Whether you're installing a modest 5kW residential system or a larger home setup, selecting the right inverter involves balancing factors like warranty coverage, efficiency ratings, and ...



Best Solar Inverters in 2025 , EnergySage

It's pretty standardized for all home solar energy systems and represents the voltage level at which your inverter connects to your home's electric system (expressed in AC).

High-Efficiency SolarEdge Home Inverters for Residential Use

Our optimized home inverters solution offers greater design flexibility for small-scale residential projects. Need help? Access our support tools & resources. Maximize energy efficiency and savings with ...



Contact Us

For catalog requests, pricing, or partnerships, please visit:
<https://www.59empagm.pl>

