

Haiti energy storage power generation



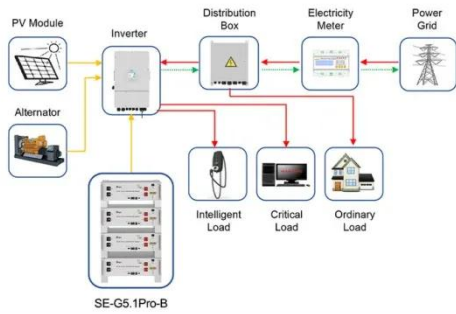
Overview

The 8MW array directly feeds factory machines through grid-tied inverters, while the 4MW system powers nearby communities. Though battery specs remain under wraps, industry analysts predict lithium-ion banks with 4-hour discharge capacity—enough to cover evening production shifts. Haiti faces significant challenges in generating and distributing energy reliably, and lack of access to affordable and reliable power significantly hinders investment and business development. The majority of electricity is produced using imported fossil fuels. The government is exploring various. A football-field-sized battery humming under the Caribbean sun, storing enough juice to light up Port-au-Prince's night markets and keep hospitals running during blackouts. This isn't a futuristic dream—it's Haiti's energy reality taking shape. With fuel shortages crippling power grids (remember. Can solar energy be used effectively in Haiti?

Solar energy can be used effectively in Haiti, offering energy self-sufficiency to the most isolated cities in the absence of a power grid. Can private investment help solve Haiti's energy crisis?

"We have had this energy crisis for a long time, more than. ere lower battery prices continue to be found. After a difficult couple of years which saw the trend of falling lithium battery prices temporarily reverse, a 14% drop in lithium-ion (Li-ion) battery pack cost from Battery Supply Chain Database of InfoLink.

Haiti energy storage power generation



Application scenarios of energy storage battery products

Powering Haiti's Future: Inside the Rise of Energy Storage Plant

Why Haiti's Energy Storage Boom Matters Now A football-field-sized battery humming under the Caribbean sun, storing enough juice to light up Port-au-Prince's night markets and keep hospitals ...

Haiti lithium energy storage power supply spot

The Green Energy Storage Technology (GEST) team has made a preliminary demonstration of a rechargeable lithium ion battery unit that is more environmentally aware,



Haiti trough energy storage

Leveraging investments in renewables, distributed energy resources, and energy storage is key to improving the resiliency and security of Haiti's power system and electricity supply.



Haiti's solar power generation and energy storage features

The system adopts intelligent and modular design, which integrates lithium battery energy storage system, solar power generation system and home energy management system.



Haiti Energy Storage Power Station Project: Powering the Future with

Let's face it: Haiti's energy sector has been playing catch-up for decades. With only 40% of its population connected to the grid and frequent blackouts, the Haiti energy storage power station project isn't just ...

Solar power generation and energy storage production in haiti

The list includes providers of long-duration battery and solar thermal energy storage solutions for power plant and grid operators, along with companies that provide energy storage as a service



Haiti power grid energy

storage policy adjustment plan



Haiti also faces challenges in terms of lack of grid access, reliability of electricity. We design, industrialize and produce utility-scale Energy Storage Systems, granting world-class power supply ...

Haiti's Energy Revolution: Solar-Storage Plants Powering a ...

What's Next for Haiti's Energy Storage Landscape? With the National Renewable Energy Lab (NREL) exploring agrivoltaic microgrids --solar panels sharing land with crops like yams and peppers--the ...



Haiti energy storage power generation

MITEI's three-year Future of Energy Storage study explored the role that energy storage can play in fighting climate change and in the global adoption of clean energy grids.

Contact Us

For catalog requests, pricing, or partnerships, please visit:
<https://www.59empagm.pl>

