

Exchange on Battery and Energy Storage Cabinets along the Belt and Road



Exchange on Battery and Energy Storage Cabinets along the Belt and Road



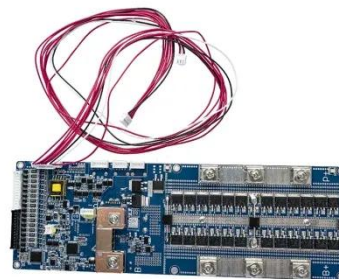
Battery swapping cabinet

Our power has been focusing on battery swapping stations and battery charging cabinets for many years, serving customers in more than 50 countries and regions around the world to quickly land

...

BESS (Battery Energy Storage Systems)

Boost energy storage with Industrial/Commercial & Home BESS, powered by lithium batteries. Ensure grid stability, savings, & backups. Plus, power base stations with Huijue Energy Storage, for ...



Belt And Road Energy Cooperation

The Belt and Road Energy Partnership (BREP) is the first multilateral cooperation platform in the energy sector initiated by China. It plays a pivotal role in advancing China's constructive ...

Energy storage system in the countries of Belt and Road

The Belt and Road Initiative (BRI), spearheaded by China, is a large-scale infrastructure and investment project that spans numerous countries in Asia, Africa, and Europe. As part of this ...

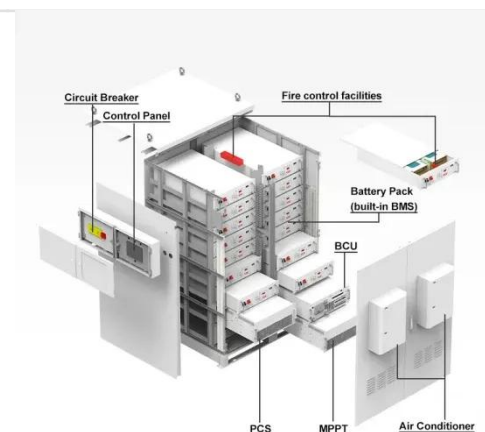


Energy Storage Breakthrough: How Battery Exchange Cabinets ...

The \$9.8 Billion Question: Why Battery Swap Systems Beat Traditional Charging As cities scramble to meet 2030 carbon targets, a quiet revolution in energy storage technology is reshaping municipal ...

Battery Energy Storage: Key to Grid Transformation & EV ...

Batteries and Transmission Battery Storage critical to maximizing grid modernization Alleviate thermal overload on transmission



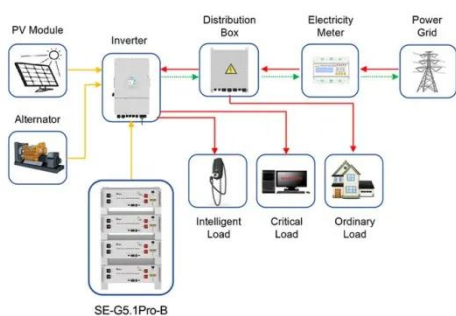
Efficient Battery Swap Stations for EVs, E-bikes, and E-scooters



Discover advanced battery swap stations for electric vehicles (EVs), e-bikes, and e-scooters. Our smart charging and swapping solutions offer fast, efficient, and eco-friendly battery exchange, shared ...

Energy relations between China and the countries along the Belt ...

Our findings are useful to the tasks of identifying the spatial distribution pattern of energy in countries along the Belt and Road, assisting in the promotion of energy cooperation between China ...



Application scenarios of energy storage battery products

Exploring the potential of the belt and road initiative as a ...

The Belt and Road Initiative (BRI), spearheaded by China, is anticipated to bolster trade, investment, and economic growth among participating countries to advance the United Nations' ...

Efficient Battery Swap Stations for EVs, E-bikes, ...

Discover advanced battery swap stations

for electric vehicles (EVs), e-bikes, and ...



The World's Leading Vehicle-Battery-Cabinet Solution , Belt and Road

One Energy Group delivers the world's leading vehicle-battery-cabinet solution: Light Electric Vehicle (LEV) o Full-stack self-developed electric-motorcycle powertrain system integrating ...

Contact Us

For catalog requests, pricing, or partnerships, please visit:
<https://www.59empagm.pl>

