

Energy storage for backup power somalia



Overview

Summary: Somalia's power grid faces chronic instability, but modern energy storage systems can unlock 24/7 electricity access. This article explores tailored solutions like solar-battery hybrids and microgrid stabilization - backed by real-world data - to help businesses and communities thrive. To meet these requirements, the Namkoo technical team designed a custom battery backup for home solution that delivers dependable off-grid power while using space efficiently. The result was a compact yet powerful 12kW solar plus 15kW inverter and 30kWh energy storage system, engineered. The Somali government has kicked off a tender for the design, supply, installation, testing and commissioning of a 55 MW solar plant with a 160 MWh battery energy storage system (BESS) in Mogadishu. The deadline for applications is Ap.

Energy storage for backup power somalia



Somalia opens solar-plus-storage tender

The Somali government has kicked off a tender for the design, supply, installation, testing and commissioning of a 55 MW solar plant with a 160 MWh battery energy storage system (BESS) in

Energy Storage Solutions for Somalia's Power Grid: Addressing

Summary: Somalia's power grid faces chronic instability, but modern energy storage systems can unlock 24/7 electricity access. This article explores tailored solutions like solar-battery hybrids and microgrid ...

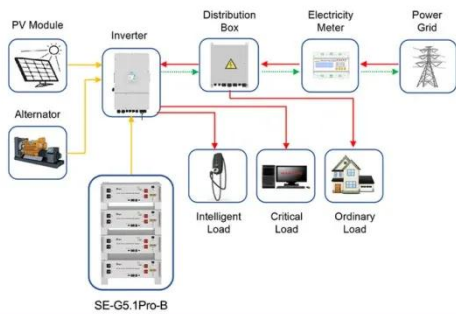


OUTDOOR ENERGY STORAGE SOMALIA

Somalia's Ministry of Energy and Minerals has launched a tender for the construction of off-grid solar-plus-storage plants at 25 health facilities in the Marodi-Jeeh and Awdal regions.

Mogadishu Lithium Battery Packs: Powering the Future of Energy Storage

This article explores how Mogadishu lithium battery packs drive renewable energy adoption, support urban development, and empower off-grid communities. Discover why these energy solutions are ...



Application scenarios of energy storage battery products

Somalia's Solar-Plus-Storage Revolution: Powering the Future

But here's the kicker - these plants are designed as modular microgrids. Each 5MW solar+storage block can operate independently, creating a disaster-resilient network. When cyclones knock out one unit, ...

Somalia's New Energy Storage Development Policy: ...

In July 2023, Somalia announced its new energy storage development policy - a strategic move to stabilize power supply while accelerating renewable energy adoption.



Somalia energy storage power plant project



The government department is seeking bids for the design, supply, installation, testing and commissioning of hybrid/off-grid solar PV plants with battery energy storage systems (BESS) at the ...

12kW+30kWh Battery Backup for Home in Somalia , Namkoo

In many parts of Africa, including Somalia, households face frequent power outages or lack access to a stable grid altogether. A home battery system provides a practical solution by ...



Energy Storage Projects in Somalia: Powering the Future Under the Sun

This Horn of Africa nation is making serious moves in renewable energy. With blistering sunshine 300+ days a year, Somalia's betting big on solar-plus-storage projects to rebuild its power ...

Energy storage for backup power somalia

Somalia has taken a significant step

towards improving energy access by launching tenders for solar power projects aimed at educational and healthcare facilities across five federal member



Contact Us

For catalog requests, pricing, or partnerships, please visit:
<https://www.59empagm.pl>

