

Are wind turbines solar powered



Are wind turbines solar powered



Solar Energy vs Wind Energy: Cost, Efficiency, Applicability, and

Residential wind turbines are typically more expensive and have higher maintenance costs. Energy Production: While wind turbines can convert up to 60% of wind energy into electricity ...

Solar Energy Vs Wind Energy: Complete 2025 Comparison Guide

Compare solar and wind energy efficiency, costs, and environmental impact. Expert analysis helps you choose the best renewable energy for your home or business in 2025.



Wind Power vs. Solar Energy

Wind turbines typically operate at an efficiency rate of 20-40%, making them more efficient than standard solar panels, which convert 15-23% of sunlight into usable electricity.

How Does Wind Energy Compare to Solar Power?

Discover how wind energy compares to solar power in efficiency, cost, and environmental impact for a greener future.

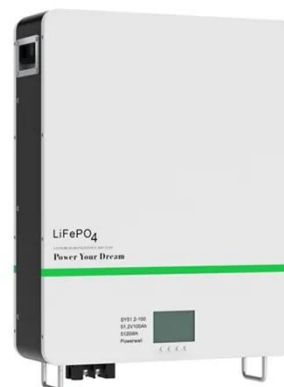


Wind Turbine and Solar Panel Combination

The wind solar hybrid system's main components include a wind turbine and tower, solar photovoltaic panels, batteries, wires, a charge controller, and an inverter.

Wind turbine vs solar panels: pros and cons , Business Norway

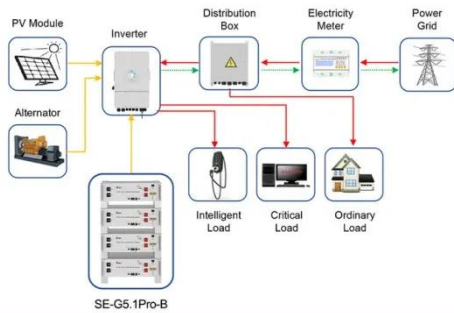
Wind turbine vs solar panels: discover advantages and disadvantages in cost and efficiency, and how combining both can deliver reliable, sustainable energy.



Wind Power Plant vs Solar Energy Comparison Guide

Discover the pros and cons of wind power plant vs solar energy. Learn which

renewable source is more efficient, cost-effective, and eco-friendly.



Application scenarios of energy storage battery products

Wind Power vs. Solar Energy: A Comparison

Efficiency is a critical factor in comparing wind power and solar energy. It measures how effectively each technology converts available resources into electricity. Wind Power: Wind turbines ...



Wind Turbine and Solar Panel Combination

Wind turbines typically operate at an efficiency rate of 20-40%, making them more efficient than standard solar panels, which convert 15-23% of sunlight into usable electricity.

Wind vs Solar Power: A Comprehensive Comparison

Explore the detailed comparison of wind and solar energy! ?? Assess their

efficiencies, costs, impacts and innovations in this insightful analysis.



How Does Wind Power Compare To Solar Energy As A Clean ...

Unlike solar energy, which relies heavily on sunlight, wind power generates energy through the movement of air. This means that locations with consistent wind patterns often see ...

Contact Us

For catalog requests, pricing, or partnerships, please visit:
<https://www.59empagm.pl>

