

690w photovoltaic panel specifications and dimensions



Overview

20 (BIF, DG) solar module comes with dimensions of 2384 mm (L) x 1303 mm (W) x 33 mm (H) and a profile of 38. 3 kg, making it an ideal choice for diverse applications with its uncomplicated installation. 20 (BIF, DG) solar module from Trina Solar helps you to maximize the performance of your solar system and delivers an outstanding rated output of 690 watts. The bifacial design uses both sides of the module to generate energy, maximizing energy output especially on reflective. STC: Irradiance 1000W/m², Cell Temperature 25°C, Air Mass AM1. *Measuring tolerance: ±3%. CAUTION: READ SAFETY AND INSTALLATION INSTRUCTIONS BEFORE USING THE PRODUCT. More energy harvest with cutting-edge N-type i-TOPCon technology, Designed for compatibility with existing mainstream system components. Superior Module Efficiency: Up to 22. Extra Power from Both Sides: Bifaciality factor of 80% ± 5% for enhanced. Product Documentation Certifications & Qualifications Questions about this product?

. Learn about Vikram Solar's Hypersol 690-715W 132-cell solar panel, designed for superior energy output, long-term reliability, and high efficiency in utility-scale and large commercial solar projects.

690w photovoltaic panel specifications and dimensions

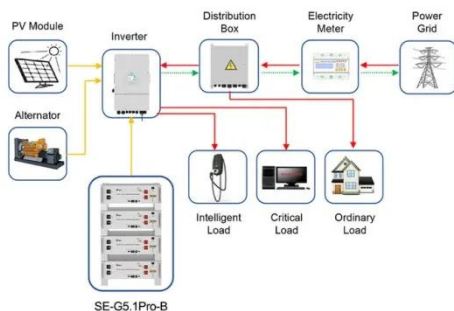


Trina Solar TSM-690NEG21C.20

The TSM-690NEG21C.20 (BIF, DG) solar module comes with dimensions of 2384 mm (L) x 1303 mm (W) x 33 mm (H) and a profile of 38.3 kg, making it an ideal choice for diverse applications with its ...

Canadian TOPCON N-Type Bifacial 690watt Solar Panel

Cell Type: N-Type TOPCon
Monocrystalline Cell Configuration: 132 half-cut cells (2 x 66) Module
Dimensions: 2384 x 1303 x 33 mm
Weight: 37.8 kg Front Glass: 2.0 mm heat-strengthened glass ...



Application scenarios of energy storage battery products

Canadian Solar 690W N-type Bifacial TOPCon CS7N-690TB- AG solar panel

690W High Output: Ideal for large PV systems with limited space or high energy demand. Superior Module Efficiency: Up to 22.2% front-side efficiency with rear-side bifacial gain up to 20%. Extra ...

Tenka Solar , Orion Serie IX 670-690Wp , Solar Panel ...

Detailed profile including pictures, certification details and manufacturer PDF.



690 Photovoltaic panel specifications and dimensions

What Are the Standard Solar Panel Sizes? When it comes to standard solar panel sizes, like 300w or 500w, it is essential to determine the size of a solar panel system based on these standard sizes.

HJT Bifacial Double Glass 680W 690Wp 700Watt Photovoltaic Solar Panel

In order to create the ultimate cost-effective product, SunEvo Solar launched a new generation of ultra-high efficiency HJT solar modules, the Evo 6 Pro monocrystalline N-type HJT bifacial double glass ...



Hypersol 690-715W Solar Panel , High-Efficiency 132-Cell

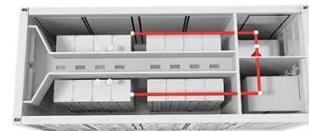


Module

Learn about Vikram Solar's Hypersol 690-715W 132-cell solar panel, designed for superior energy output, long-term reliability, and high efficiency in utility-scale and large commercial solar projects.

Trina Solar Panels 680Watt 690Watt 700 Watt Bifacial Mono

Panel Efficiency: 22.5% Panel
Dimensions: 2384*1303x33mm Cell
Type: N Type Mono-crystalline Cell size:
210mmx210mm Glass: High
Transparency Solar Glass 2.0mm
Encapsulant Material: EVA / ...



Solar Panel Bifacial Half-cut Monocrystalline 690 Wp

SOLAR PANEL 690 WATTS , TRINA SOLAR
, Bifacial Half-cut , Monocrystalline , 132
Cells PV Module , Power tolerance 0/+5W
, L 2384 mm, W 1303 mm, D 33 mm ,
38.30 kg , Material Warranty 12 years ,
...

Contact Us

For catalog requests, pricing, or partnerships, please visit:
<https://www.59empagm.pl>

