

60kWh Battery Energy Storage Cabinet for Mining



60kWh Battery Energy Storage Cabinet for Mining

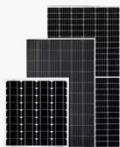


Deye GE-FL60 cabinets, 60kwh battery bank with IP65 enclosure, ...

Deye GE-FL60 cabinets, 60kwh battery bank with IP65 enclosure, cooling and fire suppression system. Deye's GE-FL60 are advanced lithium iron phosphate (LFP) battery energy storage systems ...

Deye HV 60kWh Battery Cabinet

Built with LiFePO4 battery technology and housed in an outdoor-rated enclosure, the GE-F60 provides long cycle life, advanced safety features, and scalable deployment for growing energy demands.



Solar Panel



PV Combiner Box



Lithium Battery



Hybrid Inverter

TommaTech Cabinet Type 60kWh Power and Energy Storage

TommaTech Cabinet Type 60kWh Power and Energy Storage is now on the CW Enerji website! Explore and get pricing details today. Click for information!

60kwh Lithium ion rackable battery energy storage bank system

Batterlution 60 kWh Energy Storage System (ESS) represents a cutting-edge commercial energy storage solution designed for versatile applications. Comprising six sets of battery units, each ...



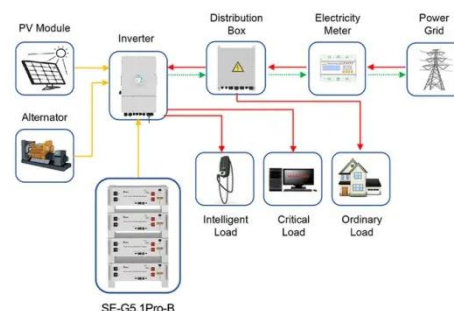
60 kWh Battery Storage (PLEASE CALL IN FOR PRICE LIST)

Provide your home or business with 60 kWh of safe and reliable battery storage in a simple to install, outdoor-rated battery cabinet. Ideal for whole-home backup and off-grid living, along with avoiding ...

HUA POWER All-in-One BESS - 30kW/60kWh PV + Battery ESS

...

Designed for commercial, industrial, and microgrid applications, it integrates a 30kW PCS with a 60kWh LiFePO4 battery bank to provide safe, efficient, and reliable power storage.



Application scenarios of energy storage battery products

Sol-Ark L3 HV-60KWH-60K: 480V Indoor Energy Storage

System



This high-performance system integrates a powerful 60kWh lithium battery pack with the Sol-Ark 60K-3P-480V inverter, delivering up to 60kW of continuous AC power to meet the substantial energy ...

60kwh Lithium ion rackable battery energy storage ...

Batterlution 60 kWh Energy Storage System (ESS) represents a ...

ESS



OASIS 60 Battery Cabinet: Scalable Energy Storage for Businesses

Sunwoda's OASIS 60 is a modular, high-performance battery energy storage system designed for commercial and industrial scale applications.

Commercial 60 kWh HV Battery Storage System - Liniotech

Built with cutting-edge lithium-ion high-voltage battery technology, this solution can be configured as a 20kWh battery

system, expanded to 40kWh, or scaled up to a robust 60kWh commercial battery ...



Contact Us

For catalog requests, pricing, or partnerships, please visit:
<https://www.59empagm.pl>

