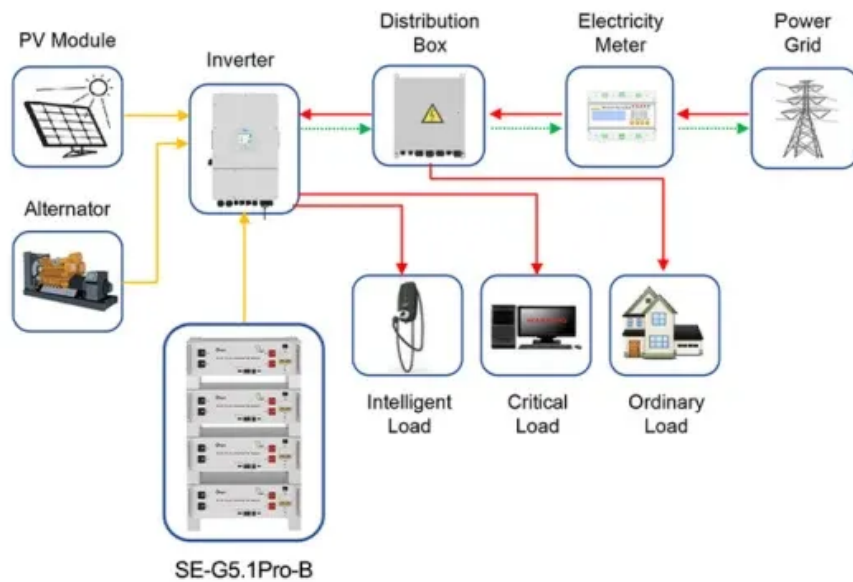


200kWh Smart Photovoltaic Energy Storage Container for Rural Use in Africa



Application scenarios of energy storage battery products



Overview

This 200kwh battery storage provides a robust, scalable solution for reducing energy costs and supporting renewable energy integration. 200KWh. The following configurations make up a complete 200kva 200kW solar power plant: Optional solar mounting support, PV combiner boxes, and cables. PVMARS provides a complete turnkey PV energy storage system solution. After we complete production, the system delivered to you can be used immediately after. 'Containerized' infrastructure solutions have the potential to power the needs of under-resourced communities at the Food/Water/Health nexus, particularly for off-grid, underserved, or remote populations. Engineered for versatility and modularity, this system is ideal for both industrial and commercial applications, offering a robust 200kWh backup power capacity. It seamlessly. The 200kWh Air-Cooled Energy Storage System (Model: FC-W-200kWh-100kW) internally integrates DCDC energy storage/photovoltaic-side voltage transformation, supporting connection to photovoltaic systems.

200kWh Smart Photovoltaic Energy Storage Container for Rural Use



Niger Smart Photovoltaic Energy Storage Container 200kWh

German startup Africa GreenTec has commissioned its first solar container in Niger, in the Tahoua region. In Africa, solar containers provide renewable energy to villages, farms, charity

200KWH commercial energy storage system

Peak shaving and valley filling: by charging and storing energy at valley time and discharging energy at peak time, the electricity cost of customers can be reduced and the electricity charge at the power ...



12V 10AH



Luna 2000 200kWh Lithium Battery Storage System For Solar

Engineered for versatility and modularity, this system is ideal for both industrial and commercial applications, offering a robust 200kWh backup power capacity.

200KWH 241KWH HIGH VOLTAGE LITHIUM BATTERY ENERGY ...

What is HJ mobile solar container?The HJ Mobile Solar Container comprises a wide range of portable containerized solar power systems with highly efficient folding solar modules, advanced lithium

...



200kwh LiFePO4 Battery Solar Power System Container Energy Storage

Everbest is a company specializing in R&D and production of lithium batteries, including its own cell factory, battery assembly factory and BMS center. The quality is stable, the price is very ...

Smart Photovoltaic Energy Storage Container 200kWh 2026 Model

What is a 200kwh energy storage system?Our 200kWh energy storage system is designed to meet the energy demanding requirements of commercial and industrial areas.



200KWH 400KWH 20FT



CONTAINERIZED ENERGY STORAGE ...

Leading provider of large-scale photovoltaic power plants, custom folding solar containers, and complete energy storage systems across Southern Africa and international markets.

Mobile Smart Photovoltaic Energy Storage Container for Power ...

A Swiss start-up has created a containerized movable PV system that is designed to be easily relocated to allow the use of solar energy in locations where a fixed installation is not an option. The innovative ...



200kWh photovoltaic container for rural use

LZY Mobile Solar Container System with 20-200kWp foldable PV panels and 100-500kWh battery storage, deployable in under 3 hours. Web: <https://>

Manufacturer of 200kWh Smart Photovoltaic Energy Storage ...

The new energy storage system comes

with multiple battery capacities for diverse scenarios. A 97 kWh battery, charging at 1C, even allows a small industrial entity to deliver optimal benefits.



Contact Us

For catalog requests, pricing, or partnerships, please visit:
<https://www.59empagm.pl>

