

1 standard power scale off-grid solar energy storage cabinet for airport use



Overview

SOFAR Energy Storage Cabinet adopts a modular design and supports flexible expansion of AC and DC capacity; the maximum parallel power of 6 cabinets on the AC side covers 215kW-1290kW; the capacity of 3 battery cabinets can be added on the DC side, and the capacity expansion covers. SOFAR Energy Storage Cabinet adopts a modular design and supports flexible expansion of AC and DC capacity; the maximum parallel power of 6 cabinets on the AC side covers 215kW-1290kW; the capacity of 3 battery cabinets can be added on the DC side, and the capacity expansion covers. Most industrial off-grid solar power systems, such as those used in the oil & gas patch and in traffic control systems, use a battery or multiple batteries that need a place to live, sheltered from the elements and kept dry and secure. This place is called a "battery enclosure", or what is. Featuring lithium-ion batteries, integrated thermal management, and smart BMS technology, these cabinets are perfect for grid-tied, off-grid, and microgrid applications. Explore reliable, and IEC-compliant energy storage systems designed for renewable integration, peak shaving, and backup power. Data logging ensures optimum performance of renewable energy components. Designed to support grid-tied and off-grid scenarios, the Hybrid ESS cabinet offers seamless integration and maximized space utilization, making it an ideal choice for growing energy. One of our recent projects with a leading U. Built with Tier 1 LFP battery cells (EVE), this system delivers safe, reliable, and long-lasting performance.

1 standard power scale off-grid solar energy storage cabinet for airp

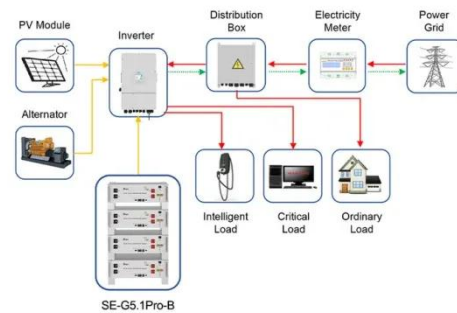


Grid Scale Energy Storage.

For high availability and reliability IQUPS is a modular energy storage system: batteries and control electronics are inserted in cabinets as plug-in units. This facilitates maintenance and the exchange of ...

SolaX ESS-AELIO , C& I Energy Storage ESS Cabinet , 50kW/60kW

Designed to support grid-tied and off-grid scenarios, the Hybrid ESS cabinet offers seamless integration and maximized space utilization, making it an ideal choice for growing energy demands.



Application scenarios of energy storage battery products



Energy Storage Cabinet_SOFAR

Safety designs such as water and electricity separation, three-level fire protection + explosion venting + exhaust, liquid cooling + dehumidification design, all ensure the safety of the energy storage ...

All-in-One Energy Storage Cabinet & BESS Cabinets , Modular, ...

AZE's All-in-One Energy Storage Cabinet & BESS Cabinets offer modular, scalable, and safe energy storage solutions. Featuring lithium-ion batteries, smart BMS, and thermal management, they're ideal ...



100kW x 215kWh Energy Storage Cabinet

The MEG 100kW x 215kWh Cabinet is engineered as a modular energy storage building block, ideal for commercial facilities, microgrids, and community-scale projects.

1standard power scale solar energy storage cabinet on sale , etrailer

Find exactly what you're looking for in our diverse selection of 1standard power scale solar energy storage cabinet on sale to make sure you have the perfect solution for your needs.



Off-grid energy storage

High Voltage Solar Battery

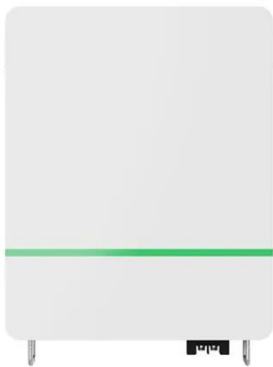
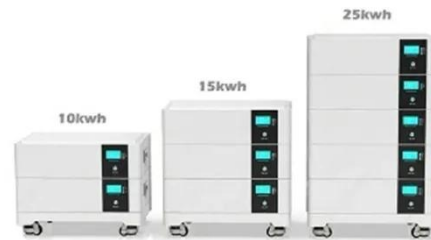


cabinet for solar power generation

Solar power off-grid energy storage cabinet is an independent operation of solar power generation and energy storage equipment, which integrates photovoltaic controller, inverter, and battery pack in the ...

Battery Enclosures & Cabinets

This product is perhaps more commonly called a "solar battery box" but is also referred to as a "pole mount battery box". Some battery boxes are large enough to be considered battery cabinets and are ...



IQUPS Uninterruptible Power Supplies keep Traffic Signals on

We provide OEM energy solutions for military and government, as well as private sector Airport, Airfield, Heliports and Obstruction Energy and Lighting applications applications. We provide renewable ...

Custom Solar Battery Storage Cabinets with NEMA 3R Enclosures -- ...

Discover E-abel's custom UL-certified solar battery storage cabinets with NEMA 3R enclosures, designed for U.S. solar engineering projects. Optimized for off grid solar battery systems ...



Contact Us

For catalog requests, pricing, or partnerships, please visit:
<https://www.59empagm.pl>

