

1mw energy storage cabinet for power stations in tanzania

114KWh ESS



PICC
QUALITY ASSURANCE

RoHS



MSDS

UN38.3

UK
CA



1mw energy storage cabinet for power stations in tanzania



1MW/2.15MWh Container ES Cabinet - Rayshely Power

The IP54 protection level adapts to the harsh outdoor environment, which is perfectly suited to the needs of industrial and commercial energy storage. Category: Industrial & Commercial Energy storage System

1MW Energy Storage Container for Power Stations in Tanzania

1MW Energy Storage Container for Power Stations in Tanzania What is a 1 MWh energy storage system? 1 MWh and construction scale of 1 MW/1 MWh. It includes a 1.04 MWh lithium iron ...



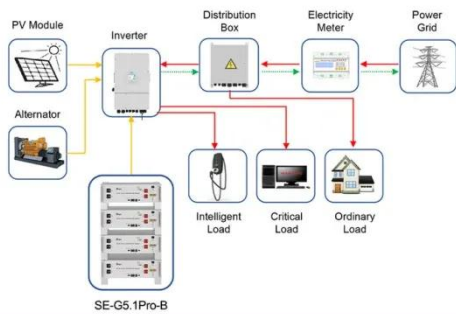
Sunway 300kW 500kW 800kW 1MW Battery Container Energy

...

They can be configured to match the required power and capacity requirements of client's application. Our containerised energy storage system (BESS) is the perfect solution for large-scale ...

Tanzania Energy Storage Container Sales: Market Insights & Buyer's

Want to understand Tanzania's booming energy storage container market? This guide reveals key applications, industry trends, and smart purchasing strategies for solar farms, mining operators, and ...



Application scenarios of energy storage battery products

Top Energy Storage Companies in Tanzania's Power Grid Sector: Key

Summary: Discover how Tanzania's energy storage sector is evolving to meet growing power demands. This guide ranks companies shaping the national grid, explores renewable integration strategies, and ...

Tanzania Power Station Energy Storage Equipment: Key Quotation ...

Summary: This article explores the critical factors affecting energy storage equipment quotations for power stations in Tanzania. We'll analyze market trends, cost drivers, and real-world case studies to ...





IP65/IP55 OUTDOOR CABINET

IP54/55

OUTDOOR ENERGY STORAGE CABINET

OUTDOOR BATTERY CABINET

Tanzania Dar es Salaam Industrial Energy Storage Cabinet Model ...

Industrial energy storage cabinets have emerged as game-changers, providing 24/7 power stability for factories and processing plants. But what makes these systems so vital for Tanzania's industrial ...

...

ESS Solar Energy Storage Battery Cabinet 215kwh 430kwh 1MWh All ...

As a leader in solar power station, NAMKOO POWER is committed to building high-quality solar power station and setting up industry. Namkoo provides one-stop service for design, procurement, ...



Tanzania smart pv-ess integrated cabinet

Standardized Structure Design: Includes energy storage batteries, power conversion systems (PCS), photovoltaic modules, and charging modules in a compact and highly efficient cabinet. Flexible ...

BATTERY ENERGY STORAGE SYSTEMS IN TANZANIA

We are committed to excellence in solar power plants and energy storage solutions. With complete control over our manufacturing process, we ensure the highest quality standards in every solar

...



Contact Us

For catalog requests, pricing, or partnerships, please visit:
<https://www.59empagm.pl>

