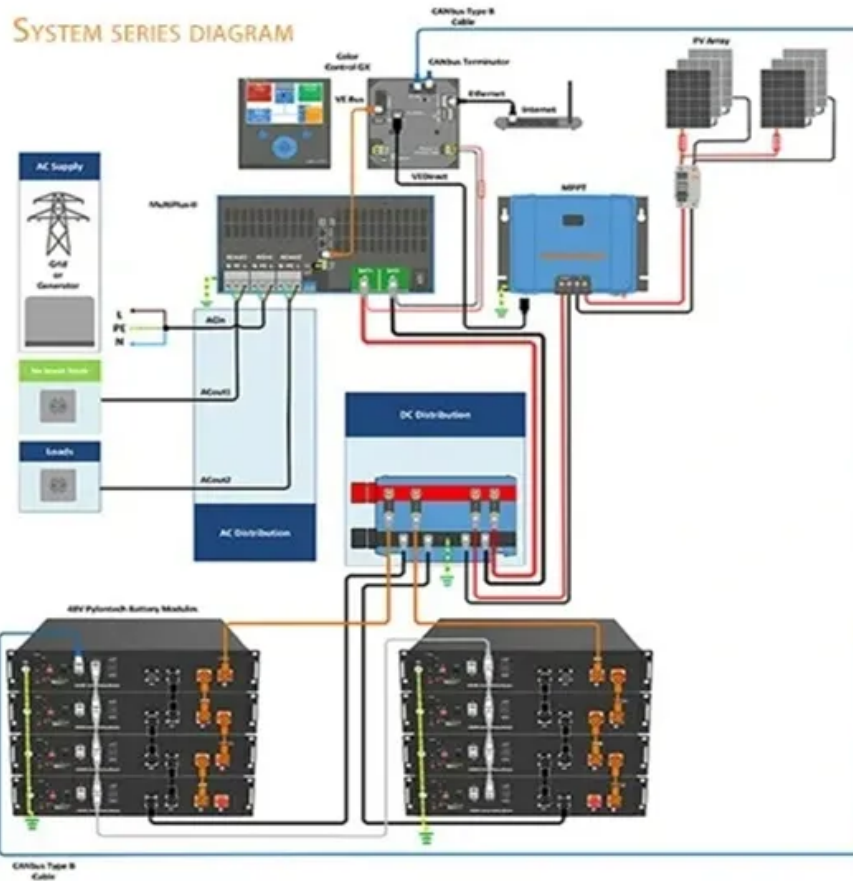


15kW wagadugou solar energy storage cabinet for island use



15kW wagadugou solar energy storage cabinet for island use

Ouagadougou 15kw energy storage high-quality merchants



As a global pathfinder, leader and expert in battery energy storage system, BYD Energy Storage specializes in the R& D, manufacturing, marketing, service and recycling of the energy storage ...

OUAGADOUGOU MAKES ENERGY STORAGE CABINETS

The 2024 Sahel Energy Summit showcased three emerging technologies specifically adapted to Ouagadougou's climate: These modular units store excess solar heat in ceramic bricks at 1,500°C - ...



wagadugou solar outdoor cabinet 15kw cooperatin , etrailer



Browse our selection of wagadugou solar outdoor cabinet 15kw cooperatin to find the perfect solution for your unique requirements.

Ouagadougou container energy storage transformation

The project is furnished with a 5.308 MWh energy storage system comprising 2 2.654 MWh battery energy storage containers and 1 35 kV/2.5 MVA energy storage conversion boost system.



15kW / 35kWh Hybrid Solar System Integrated Energy Storage Cabinet

Equipped with a robust 15kW hybrid inverter and 35kWh rack-mounted lithium-ion batteries, the system is seamlessly housed in an IP55-rated cabinet for enhanced protection against water and dust, ...

Energy Storage Cabinets: How Ouagadougou is Powering ...

Ouagadougou's manufacturers are now rolling out modular energy storage cabinets combining lithium-ion tech with AI-driven management. These systems don't just store solar energy - they actively ...



15kW Wagadugou Solar Container for Island Use



Our home solar PV systems and energy storage products are engineered for reliability, safety, and efficient deployment in Polish conditions. All systems include comprehensive monitoring and control ...

Ouagadougou Cabinet Energy Storage Cabin Project: Powering ...

A solar-powered cabinet in Ouagadougou that can power 200 households during blackouts while making coffee for local engineers. Okay, maybe not the coffee part - but Burkina ...

- LiFePO₄ Battery, safety*
- Wide temperature: -20~55°C*
- Modular design, easy to expand*
- The heating function is optional*
- Intelligent BMS*
- Cycle Life: > 6000*
- Warranty: 10 years*



Ouagadougou Distributed Energy Storage Cabinet Factory Price: ...

Discover how distributed energy storage cabinets are powering sustainable development across West Africa. This guide explores factory pricing factors, technical specifications, and why Ouagadougou is ...

Island Energy Storage Solutions , Off-grid Solar

Battery Systems for

Designed for island schools, rural clinics, remote offices, and telecom towers, GSL ENERGY's all-in-one off-grid energy storage system combines a lithium battery bank, hybrid inverter, and smart BMS into ...



Contact Us

For catalog requests, pricing, or partnerships, please visit:
<https://www.59empagm.pl>

