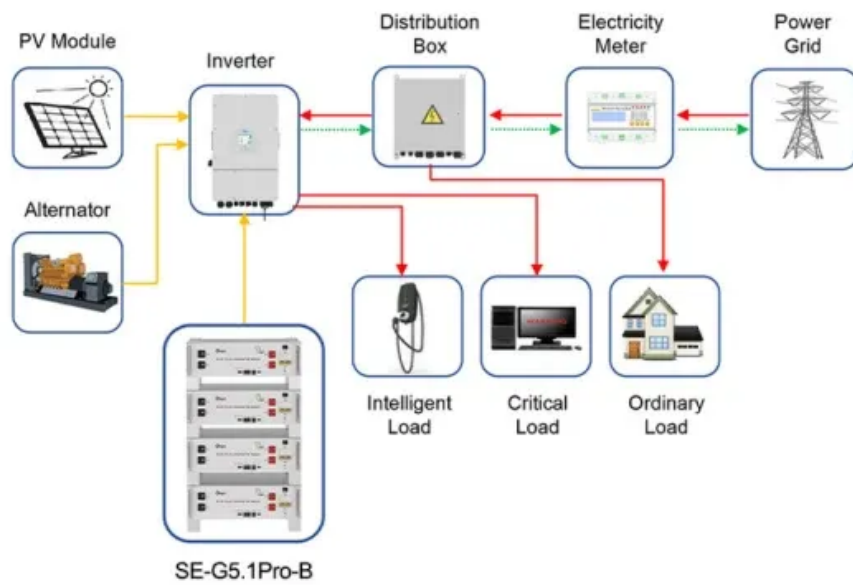


1500V Data Center Battery Cabinet for Base Stations



Application scenarios of energy storage battery products



1500V Data Center Battery Cabinet for Base Stations



Battery Cabinet, Battery Storage Cabinet, Battery Bank Rack

Engineered for use with most type of battery terminal models, these cabinets can fit a wide variety of applications. This solution is completely customizable and flexible to support your application

...

Vertiv(TM) EnergyCore, Lithium Ion Battery Cabinet

The Vertiv(TM) EnergyCore Li5 and Li7 battery systems deliver high-density, lithium-ion energy storage designed for modern data centers. Purpose-built for critical backup and AI compute loads, they ...



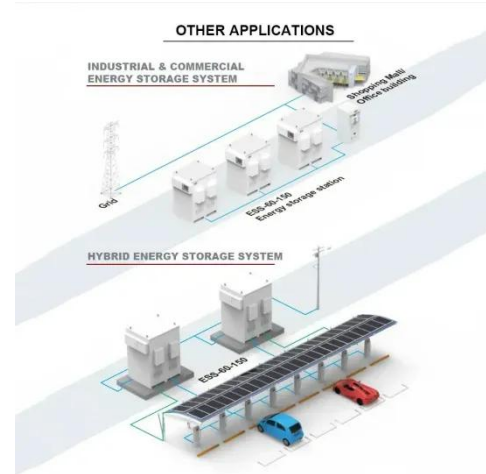
Uninterruptible Power Supply (UPS) Backup Battery Cabinets , Arimon

Arimon UPS backup battery cabinets offer breaker or fuse protection up to 800 Amps. UPS circuit breaker options include auxiliary contacts, undervoltage release (UVR) and shunt trip circuit ...

Battery Cabinets & Enclosures

Exponential Power's Battery Cabinets & Enclosures provide durable, secure solutions for telecommunications and industrial applications. Designed to protect battery systems, these cabinets

...



Up to 1500V Stackable Battery Management Unit Reference ...

This design supports both daisy-chain and controller area network (CAN) interfaces for a stackable communication up to 1500V battery energy storage systems. These features make this reference ...

FPR-ESS-5015kWh-L-1500V

The FPR-ESS-5015kWh-L-1500V is perfect for large-scale applications, including grid stabilization, renewable energy integration, and industrial power management.



1500 V Battery Energy Storage Reference Design

This reference design fits stackable high-voltage battery energy storage systems



used in large scale utility solutions, industrial and commercial UPS as well as storage for domestic use.

C & D Technologies , Stationary Battery Cabinets

From the industry leader in data center backup batteries, C& D now offers a configurable cabinet solution. In addition to our premium, reliable stationary batteries, we carry a full line of well ...

ESS



MEGATRON 373KWH- MEGACUBE-Global Leading ONE- STOP PV ...

373kWh rack systems can be paired with 1500V PCS inverters to complete fully functioning battery energy storage systems. The battery pack, string and cabinets are certified by TUV to align with ...

Contact Us

For catalog requests, pricing, or partnerships, please visit:
<https://www.59empagm.pl>

